

# **MGE Series Generators**

## **Model**

**MGE6700ZREA**

## **Parts Breakdown**

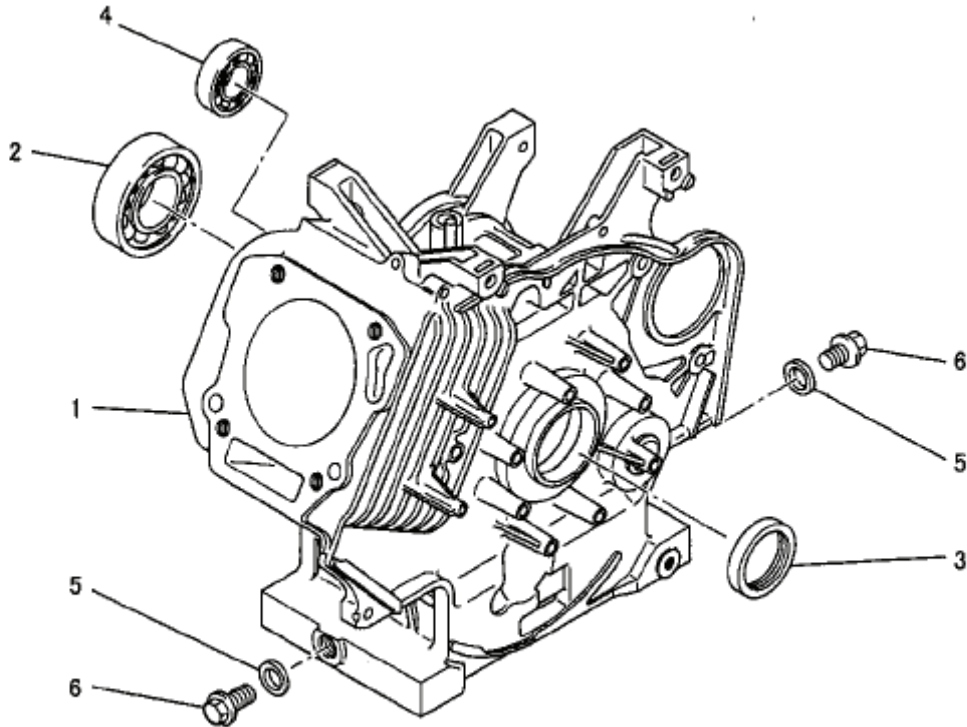
### **Remarks on Parts Catalog**

1. This parts catalog contains all parts for the MITSUBISHI GENERATOR “MGE6700Z-REA.”
2. The figures in drawings are the index number of the parts.
3. When ordering parts, please clarify the part number and name or engine model name and give to your dealer.
4. Please note that part numbers may be changed periodically without notice.

**Table of Contents**

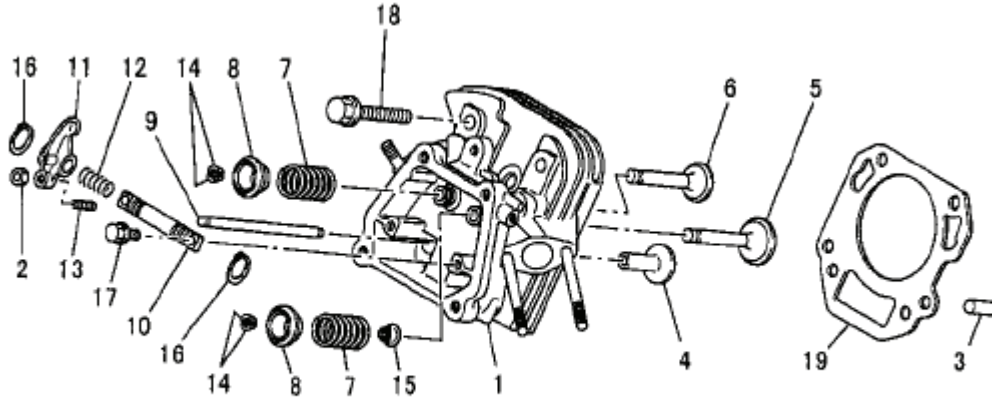
	<b>Page</b>
A. Cylinder Block Group	4
B. Cylinder Head Group	5, 6
C. Head Cover Group	7
D. Case Cover Group	8, 9
E. Crankshaft Group	10
F. Piston and Rod Group	11
G. Magnet Group	12
H. Air Cleaner Group	13, 14
I. Carburetor Group	15, 16, 17
J. Control Panel Group	18, 19
K. Fan Cover Group	20
L. Cylinder Cover Group	21
Q. Cell Group	22
R. Recoil Starter Group	23
W. Oil Sensor Group	24
1. Bolt, Clamp Cover, Etc.	25
2. Lead Wire, Plug	26
3. Label, Fuel Hose	27
4. Tool Set, Etc.	28, 29, 30
5. Gasket Set	31
6. Frame and Tank	32, 33, 34
7. Generator	35, 36
8. Control Box	37, 38, 39, 40

## A. CYLINDER BLOCK GROUP



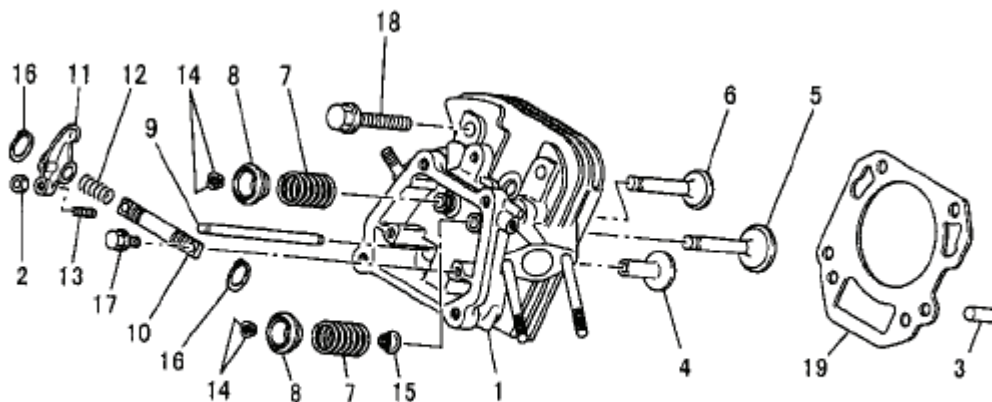
Number	Part Number	Parts Name	Number Required	Remarks
1	KB4700IDA	Cylinder Block	1	
2	KW11006AA	Bearing, Ball	1	
3	KW29002AA	Oil Seal	1	
4	S111X62X030	Bearing, Ball	1	#6203
5	ZZ70013A	Gasket	2	
6	FN11223	Plug, Drain	2	

## B. CYLINDER HEAD GROUP



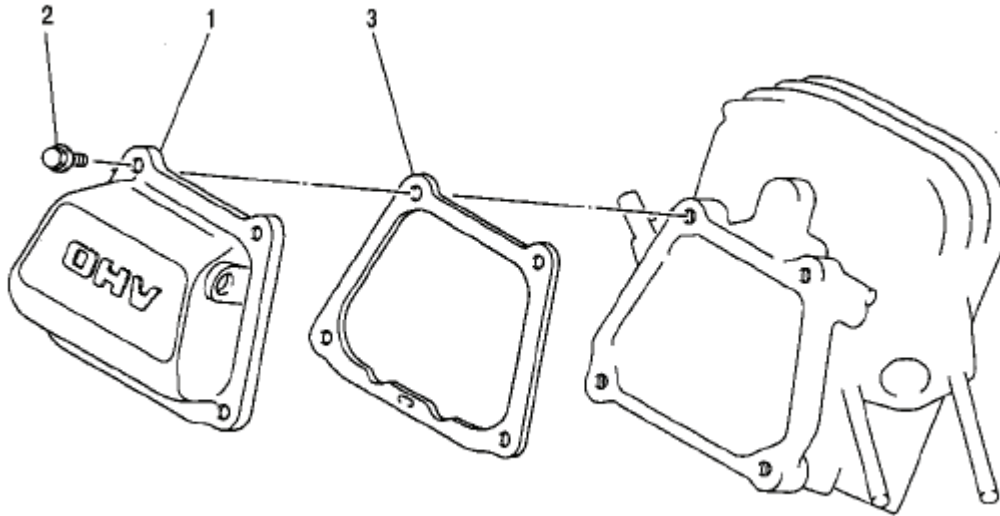
Number	Part Number	Parts Name	Number Required	Remarks
1	KC02033AA	Cylinder Head Assembly	1	With B155B06X095
2	FR46870	Nut	2	
3	KU44001AA	Pin, Dowel	2	
4	KV25001AA	Tappet	2	
5	KV37002AA	Valve, Intake	1	
6	KV45007AA	Valve, Exhaust	1	
7	KV56001AA	Spring, Valve	2	
8	KV68002AA	Retainer, Valve Spring	2	
9	KV71007AA	Rod, Push	2	
10	KV72004AA	Shaft, Rocker Arm	1	
11	KV72005AA	Arm, Rocker	2	
12	KV72006AA	Spring, Rocker Shaft	1	

## B. CYLINDER HEAD GROUP



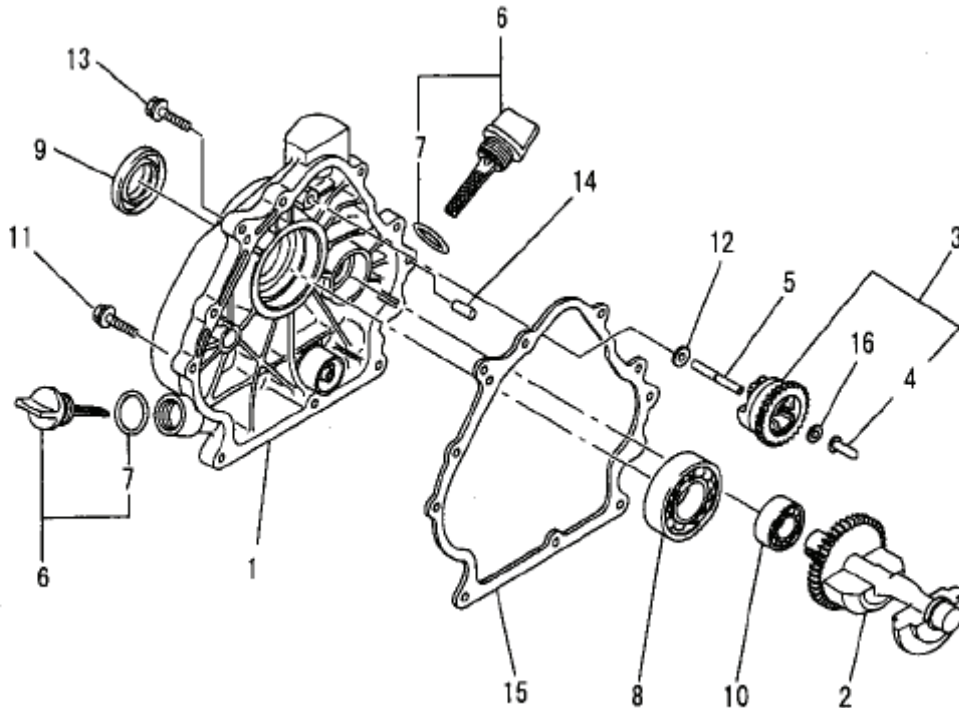
Number	Part Number	Parts Name	Number Required	Remarks
13	KV73003AA	Screw, Adjust	2	
14	KV75007AA	Cotter	4	
15	KW21019AA	Seal, Valve Stem	1	
16	S510P12	Snap Ring	2	
17	B800B06X020	Bolt, Flange	2	
18	B800B10X065	Bolt, Flange	4	
19	KC68001AA	Gasket, Head	1	

### C. HEAD COVER GROUP



Number	Part Number	Parts Name	Number Required	Remarks
1	KC09004AA	Cover, Head	1	
2	B805B06X012	Bolt, Flange	4	
3	KW33003AA	Gasket, Head Cover	1	

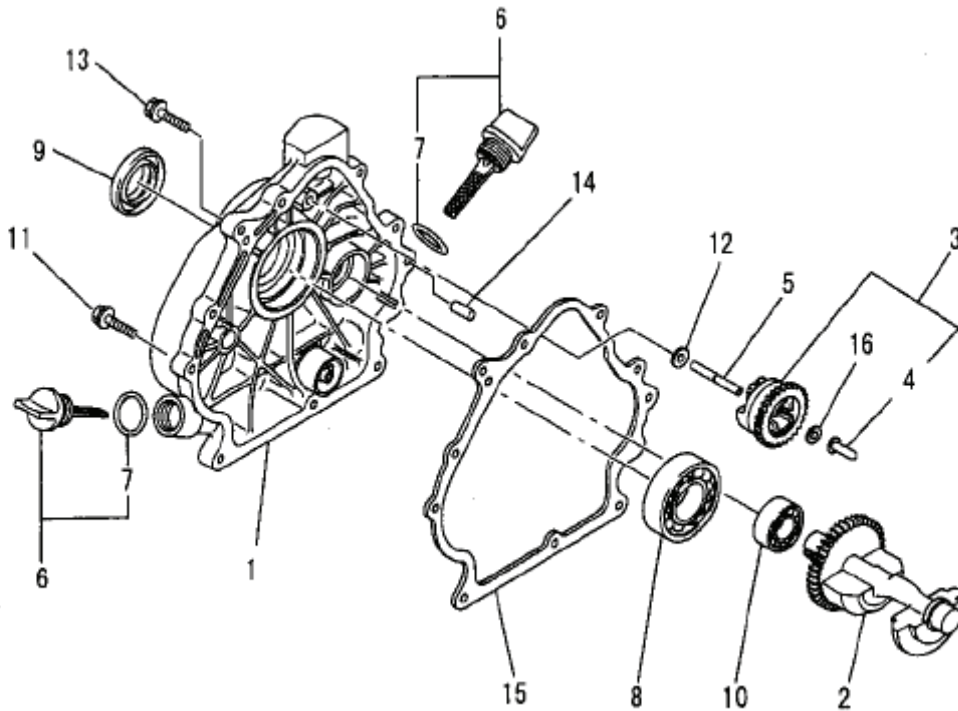
## D. CASE COVER GROUP



Number	Part Number	Parts Name	Number Required	Remarks
1	KB67001EA	Cover, Crankcase	1	
2	KD51003AA	Shaft, Balancer	1	
3	KG01003CA	Governor Gear Assy	1	Incl. No. 4
4	KG14004AA	Slider, Gov	1	
5	KG22004AA	Shaft, Gov	1	
6	KL21010EA	Gauge, Oil	2	Incl. No. 7
7	KW29006AA	O-Ring	2	
8	KW11006AA	Bearing, Ball	1	
9	KW29002AA	Oil Seal	1	
10	S111X62X030	Bearing, Ball	1	#6203
11	B800B08X030	Bolt, Flange	8	
12	FA28247	Spacer	1	

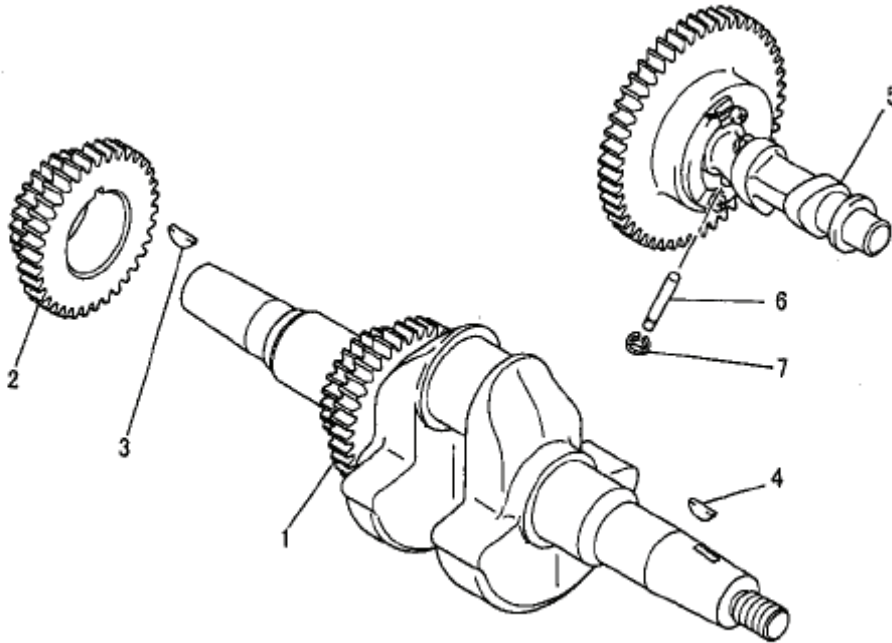


## D. CASE COVER GROUP



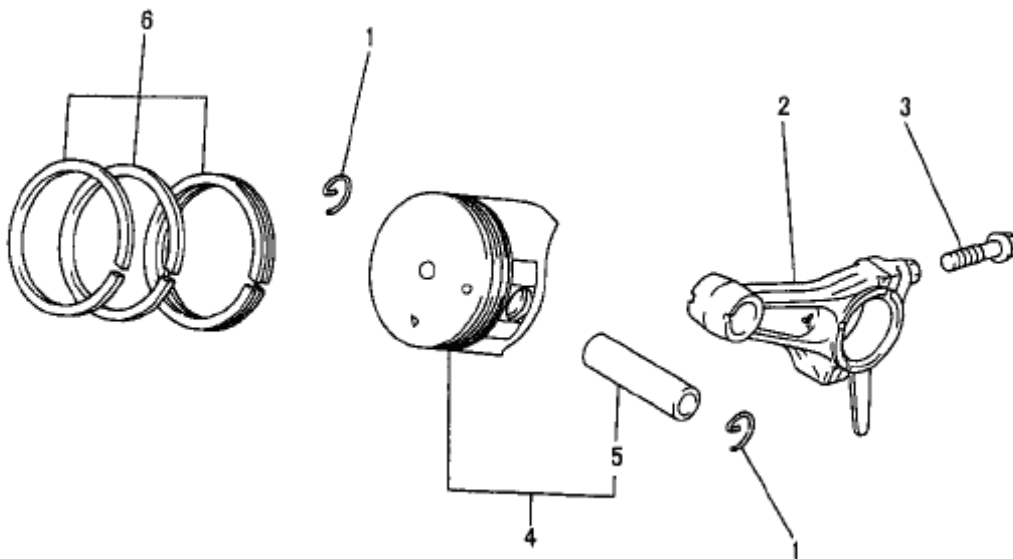
Number	Part Number	Parts Name	Number Required	Remarks
13	KU14031AA	Bolt, Flange	1	
14	KU44001AA	Pin, Dowel	2	
15	KW31010AA	Gasket, Crankcase	1	
16	FR67347A	Washer	1	

## E. CRANKSHAFT GROUP



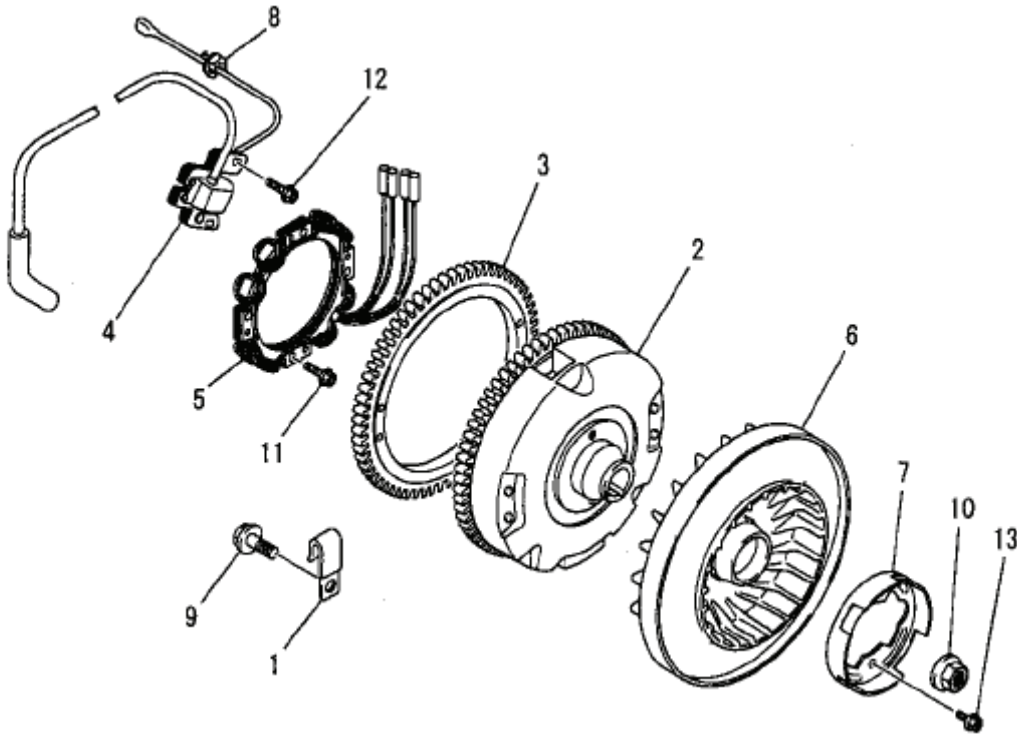
Number	Part Number	Parts Name	Number Required	Remarks
1	KD02058EA	Crankshaft Assy.	1	Incl. No. 2, 3
2	KD63042AA	Gear, Crankshaft	1	
3	KD90012AA	Key, Woodruff	1	
4	W430B05X016	Key, Woodruff	1	
5	KV01165AA	Camshaft Assy.	1	Incl. No. 6, 7
6	KV83009FA	Pin	1	
7	S500P03	Snap Ring	1	

## F. PISTON AND ROD GROUP



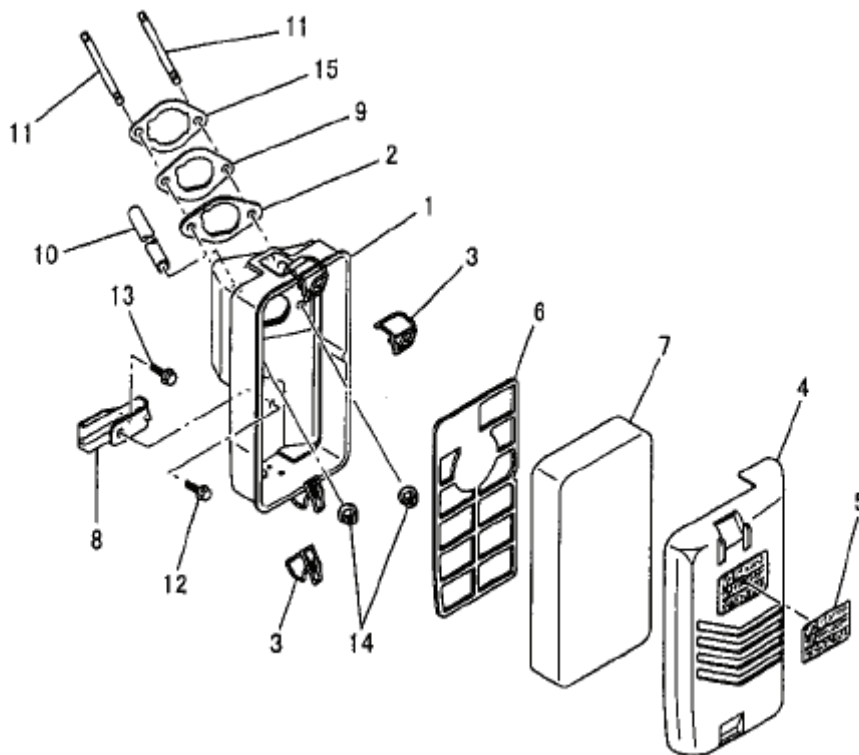
Number	Part Number	Parts Name	Number Required	Remarks
1	KP90001AA	Clip, Piston Pin	2	
2	KD03012AA	Connecting Rod Assy	1	Std. Incl. No. 3
2	KD03012BA	Connecting Rod Assy	1	US 0.25 Incl. No. 3
2	KD03012CA	Connecting Rod Assy	1	US 0.50 Incl. No. 3
3	KD70001AA	Bolt	2	
4	KP01046GA	Piston Set	1	Std. Incl. No. 5
4	KP01046HA	Piston Set	1	OS 0.25 Incl. No. 5
4	KP01046JA	Piston Set	1	OS 0.50 Incl. No. 5
5	KP58003AA	Pin, Piston	1	
6	KP02012AA	Piston Ring Set	1	Std
6	KP02012BA	Piston Ring Set	1	OS 0.25
6	KP02012CA	Piston Ring Set	1	OS 0.50

## G. MAGNET GROUP



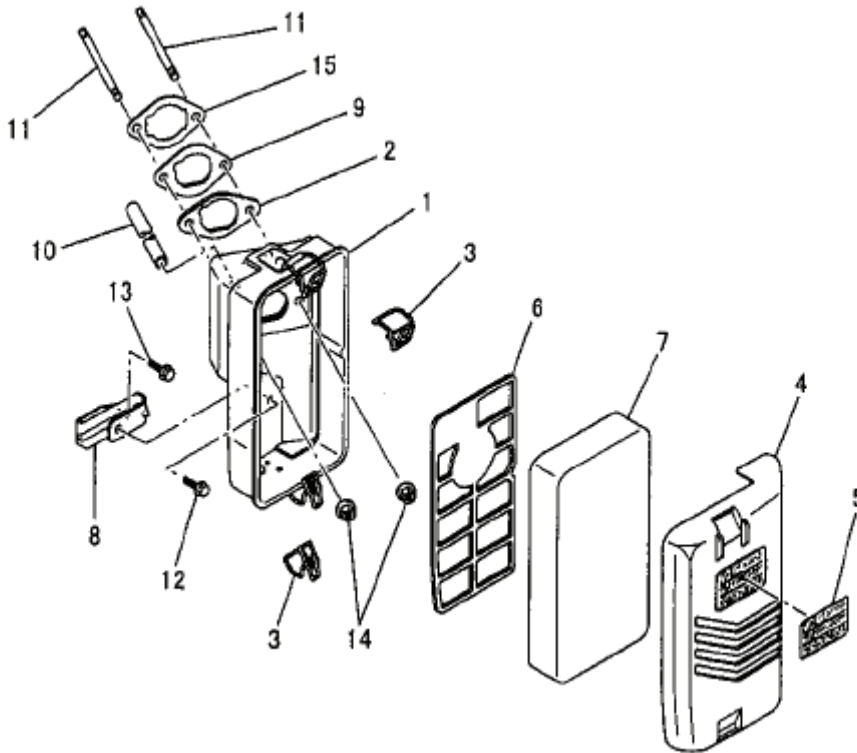
Number	Part Number	Parts Name	Number Required	Remarks
1	FR51895	Clamp	1	
2	KE02078AA	Flywheel Gear Assy.	1	Incl. No. 3
3	KS90027AA	Gear, Ring	1	
4	KE25004AA	Coil, Ignition	1	
5	KE25006AA	Coil, Charge	1	
6	KE90128AA	Fan	1	
7	KE90129AA	Retainer	1	
8	KU70007AA	Clip	1	
9	B805B06X012	Bolt, Flange	1	
10	FA29015	Nut, Flange	1	
11	KU12020AA	Screw	4	
12	KU12046AA	Bolt, Flange	2	
13	KU14036AA	Bolt, Flange	2	

## H. AIR CLEANER GROUP



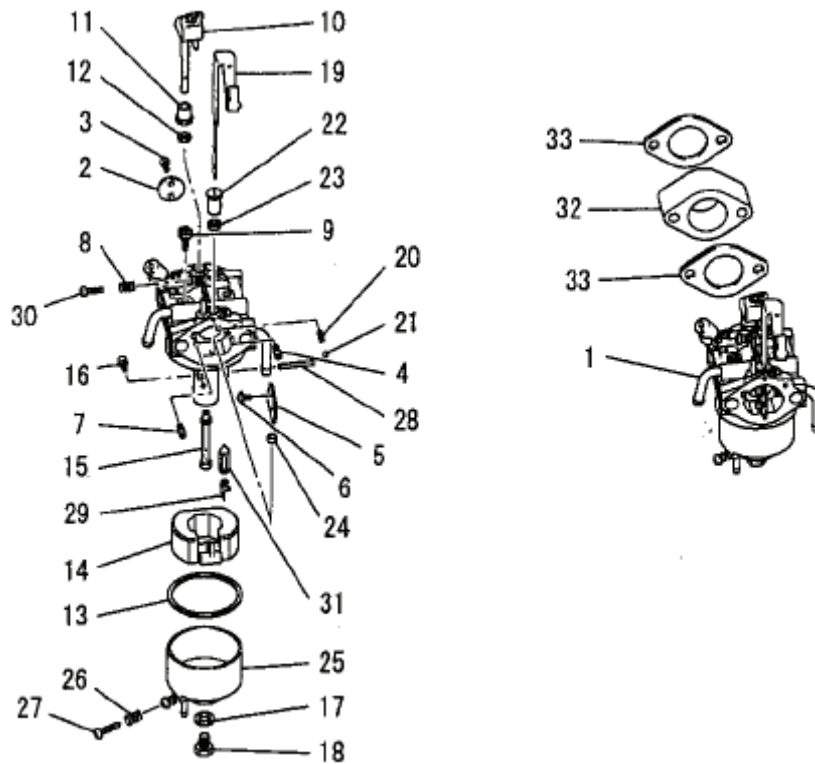
Number	Part Number	Parts Name	Number Required	Remarks
1	KA11019AA	Case, Cleaner	1	Incl. No. 2, 3
2	KA11019AA003	Gasket	1	
3	KA90144AA	Holder	1	
4	KA20045AA	Cover, Cleaner	1	Incl. No. 5
5	FA24115	Label, Instruction	1	
6	KA30016AA	Grid	1	
7	KA40059AA	Element, Cleaner	1	
8	KA90115AA	Bracket	1	
9	KA90121BA	Spacer	1	
10	ZZ70002S	Tube, Breather	1	
11	B155B06X095	Bolt, Stud	2	
12	B800A06X008	Bolt, Flange	1	

## H. AIR CLEANER GROUP



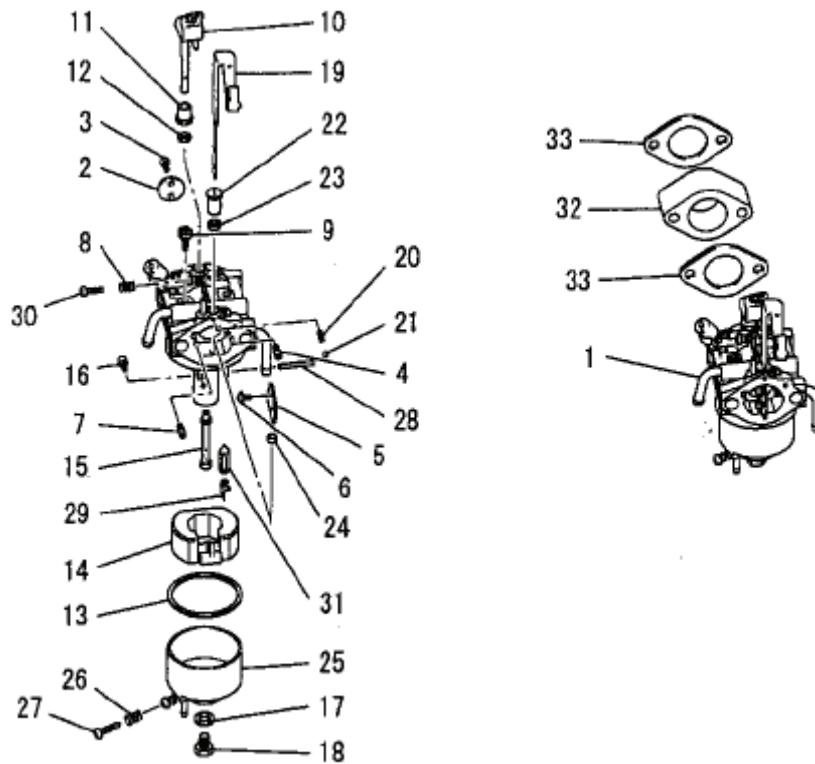
Number	Part Number	Parts Name	Number Required	Remarks
13	B805B06X016	Bolt, Flange	1	
14	N801A06	Nut, Flange	2	
15	KW34055AA	Gasket, Carburetor	1	

## I. CARBURETOR GROUP



Number	Part Number	Parts Name	Number Required	Remarks
1	KK16009BD	Carburetor (F)	1	Incl. No. 2-31
2	KK16009AA002	Valve, Throttle	1	
3	KK16009AA003	Screw	2	
4	KK15001AA026	Jet	1	
5	KK16009AA005	Valve, Choke	1	
6	KK13012AA005	Screw	2	
7	KK16009AA007	Jet	1	
8	FA27080XX003	Spring	1	
9	KK74508BC425	Jet, Pilot	1	
10	KK16009AA011	Shaft, Throttle	1	
11	KK16009AA012	Ring	1	
12	KK12008AE016	Seal	1	

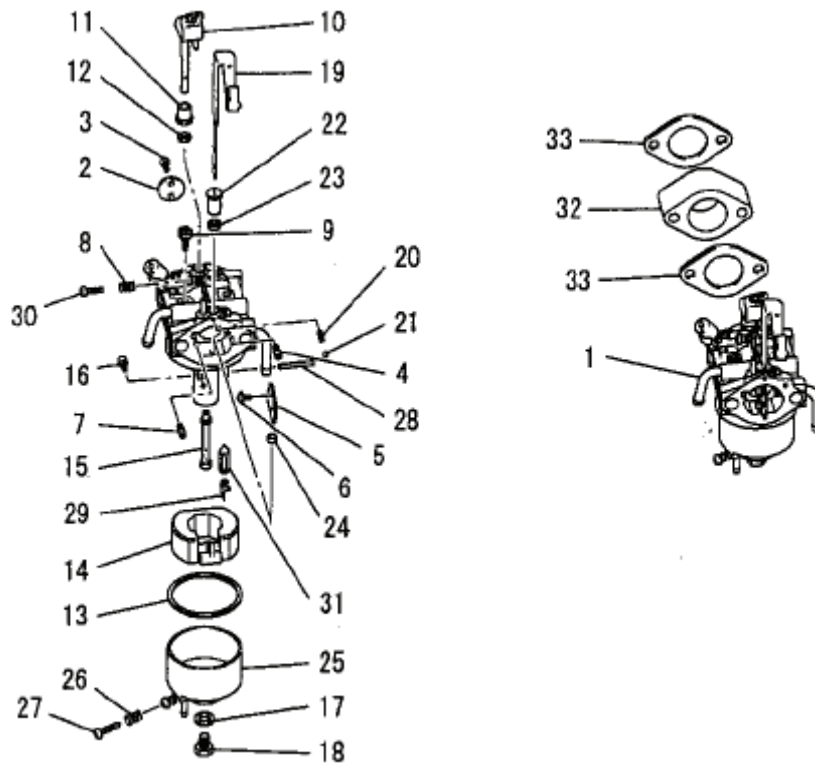
## I. CARBURETOR GROUP



Number	Part Number	Parts Name	Number Required	Remarks
13	KK15003AE014	Packing	1	
14	KK15003AE015	Float	1	
15	KK74524BA027	Nozzle, Main	1	
16	KK74525CA075	Jet, Main	1	
17	KK15003AE018	Packing	1	
18	KK16009AA019	Bolt	1	
19	KK16009AB020	Lever, Choke	1	
20	FR45930XX015	Spring	1	
21	FR45930XX016	Ball, Steel	1	
22	KK13002AA017	Ring	1	
23	KK13002AA028	Felt	1	
24	KK15003AE024	Ring	1	

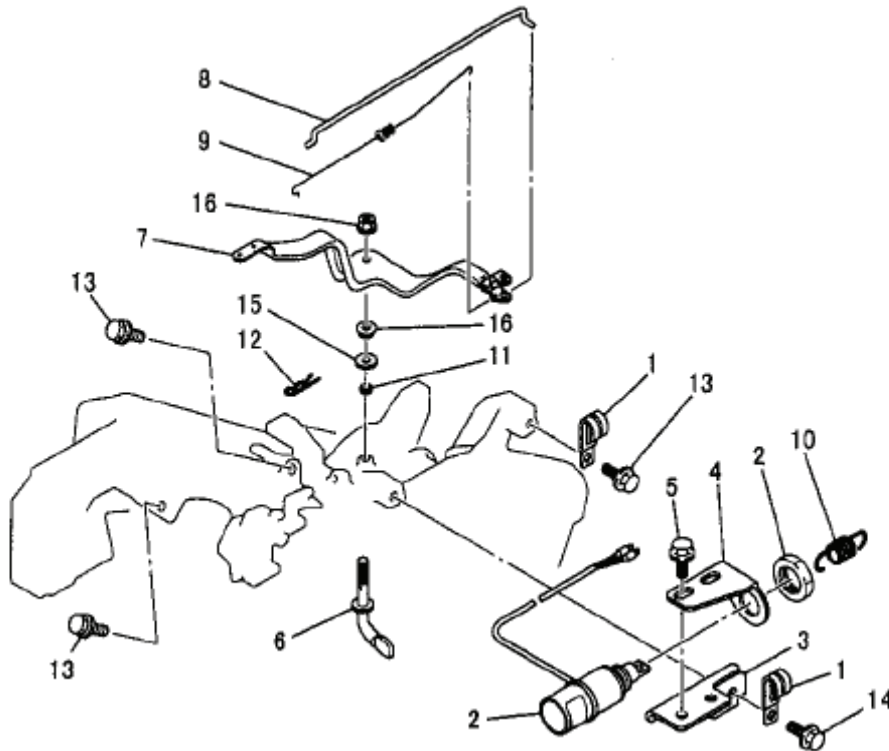


## I. CARBURETOR GROUP



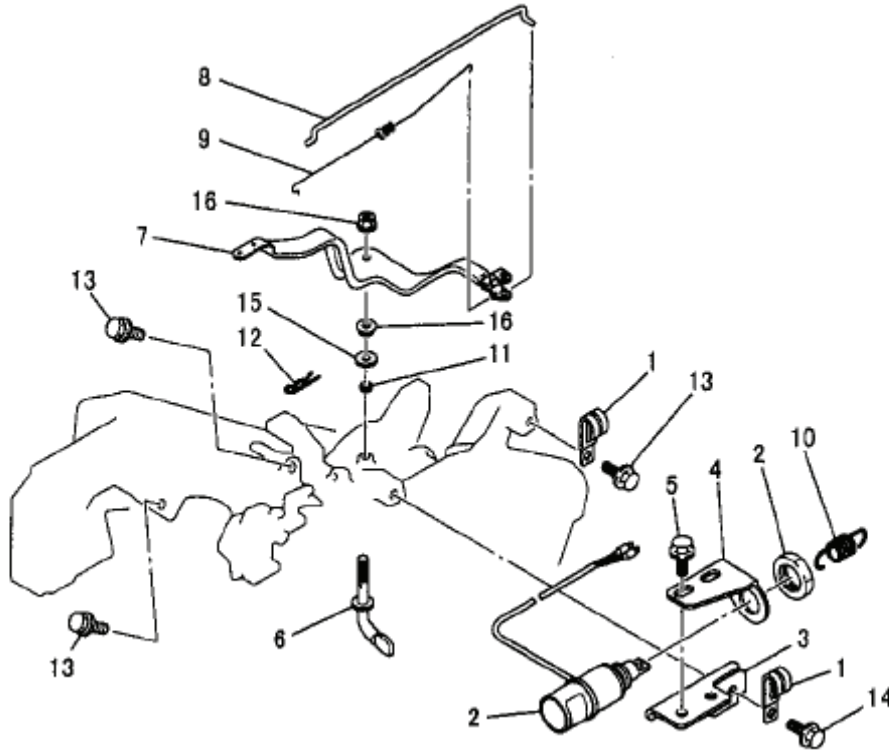
Number	Part Number	Parts Name	Number Required	Remarks
25	KK15005DA025	Chamber, Float	1	Incl. No. 26, 27
26	FA27080XX003	Spring	1	
27	KK15001AA018	Screw	1	
28	KK15003AE027	Pin	1	
29	KK12008AE011	Clip	1	
30	KK16009AA030	Screw	1	
31	KK15003AE026	Valve, Needle	1	
32	KK34001BA	Insulator	1	
33	KW34052AA	Gasket, Carburetor	2	

## J. CONTROL PANEL GROUP



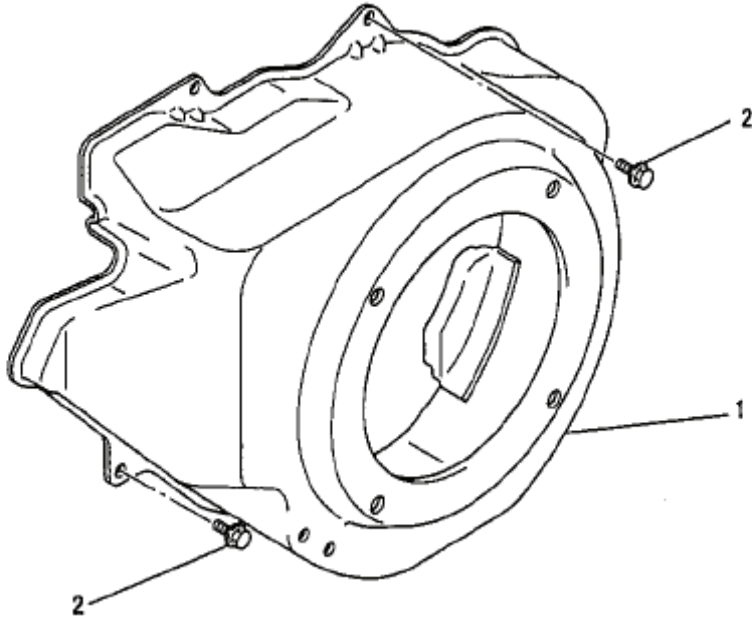
Number	Part Number	Parts Name	Number Required	Remarks
1	FR64917A	Clamp	2	
2	KE09025CA	Solenoid	1	
3	KE90166AA	Plate	1	
4	KE90167BA	Plate	1	
5	B800A06X012	Bolt, Flange	2	
6	KG22009AA	Shaft, Gov	1	
7	KG31017BA	Lever, Gov	1	
8	KG41017AA	Rod, Gov	1	
9	KG42013AA	Spring, Rod	1	
10	KG42015AA	Spring	1	
11	KG90016AA	Seal, Dust	1	
12	KU70006AA	Clip	1	

## J. CONTROL PANEL GROUP



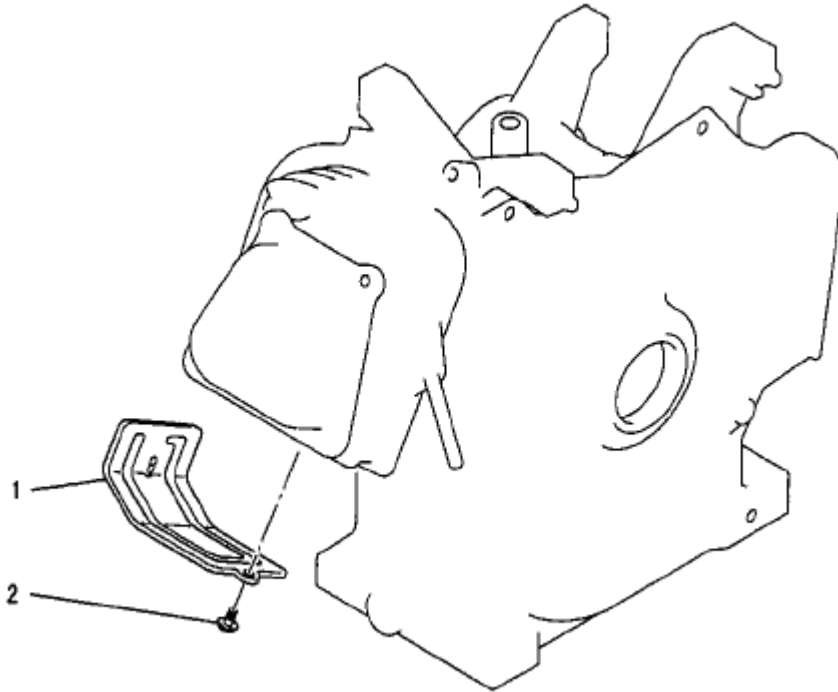
Number	Part Number	Parts Name	Number Required	Remarks
13	B805B06X012	Bolt, Flange	3	
14	B805B06X016	Bolt, Flange	1	
15	KG90015AA	Washer	1	
16	KU24002AA	Nut	2	

## K. FAN COVER GROUP



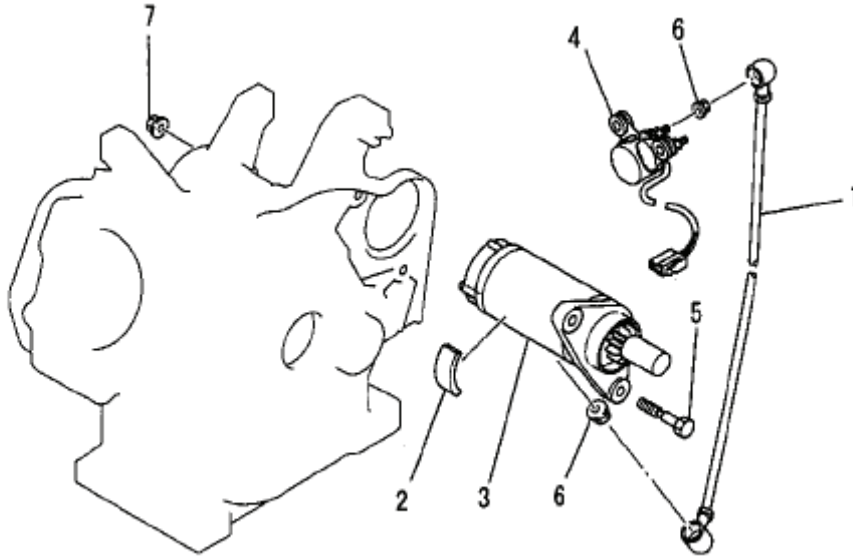
Number	Part Number	Parts Name	Number Required	Remarks
1	KH28009AA	Cover, Fan	1	
2	B805B06X012	Bolt, Flange	4	

## L. CYLINDER COVER GROUP



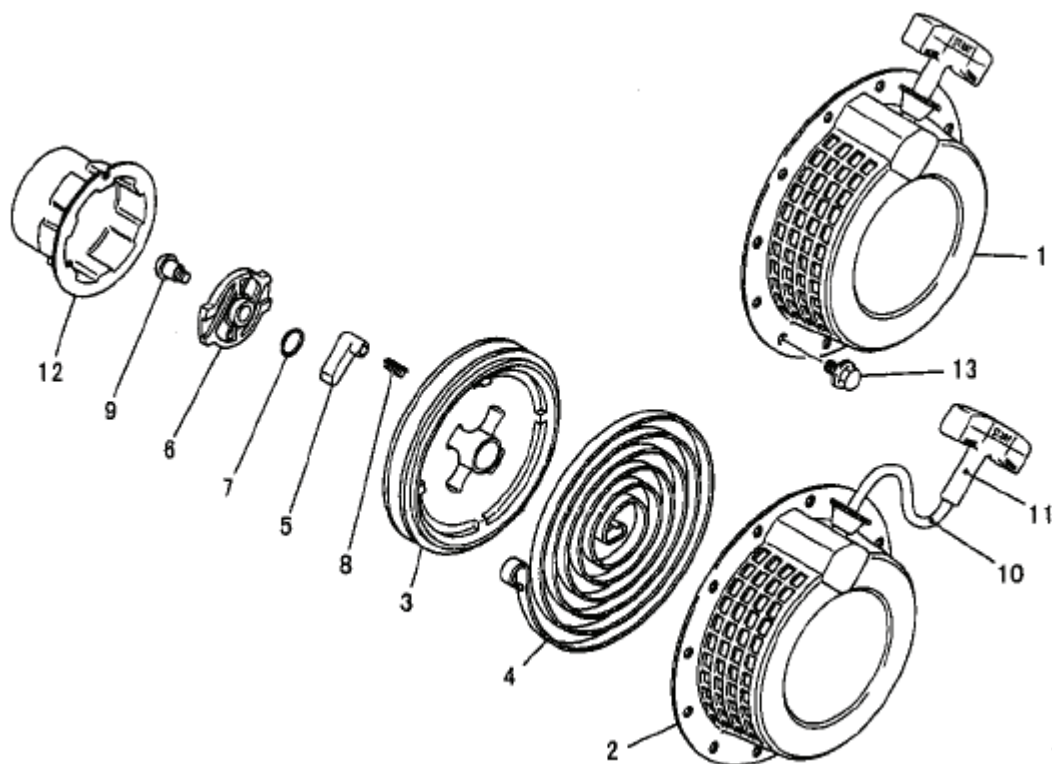
Number	Part Number	Parts Name	Number Required	Remarks
1	KH40020AA	Cover, Cylinder	1	
2	B805B06X012	Bolt, Flange	2	

## Q. CELL GROUP



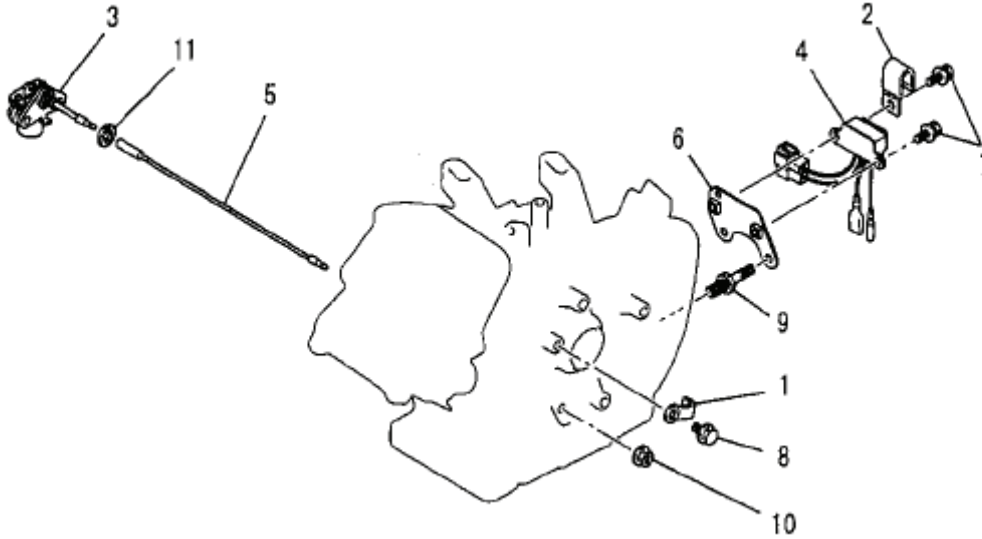
Number	Part Number	Parts Name	Number Required	Remarks
1	KE90157AA	Wire, Lead	1	
2	KE90203AA	Seat, Rubber	1	
3	KS11011AA	Motor, Starting	1	
4	KS11012AA022	Starter Relay Assy.	1	
5	FA28198	Bolt, Reamer	2	
6	N801A06	Nut, Flange	3	
7	N801A08	Nut, Flange	2	

## R. RECOIL STARTER GROUP



Number	Part Number	Parts Name	Number Required	Remarks
1	KS02056AD	Recoil Starter Assy.	1	Incl. No. 2-12
2	KS20061AD001	Case, Starter	1	
3	KS20060AD002	Reel	1	
4	KS20060AD003	Spring, Spiral	1	
5	KS20060AD004	Ratchet	2	
6	KS20061AD005	Guide	1	
7	KS20060AD006	Spring, Friction	1	
8	KS20020AD007	Spring, Return	2	
9	KS20020AD008	Screw	1	
10	KS20035AD013	Rope, Starter	1	
11	KS20060AD014	Knob, Starter	1	
12	KS30037AA	Pulley, Starter	1	
13	B800A06X008	Bolt, Flange	4	

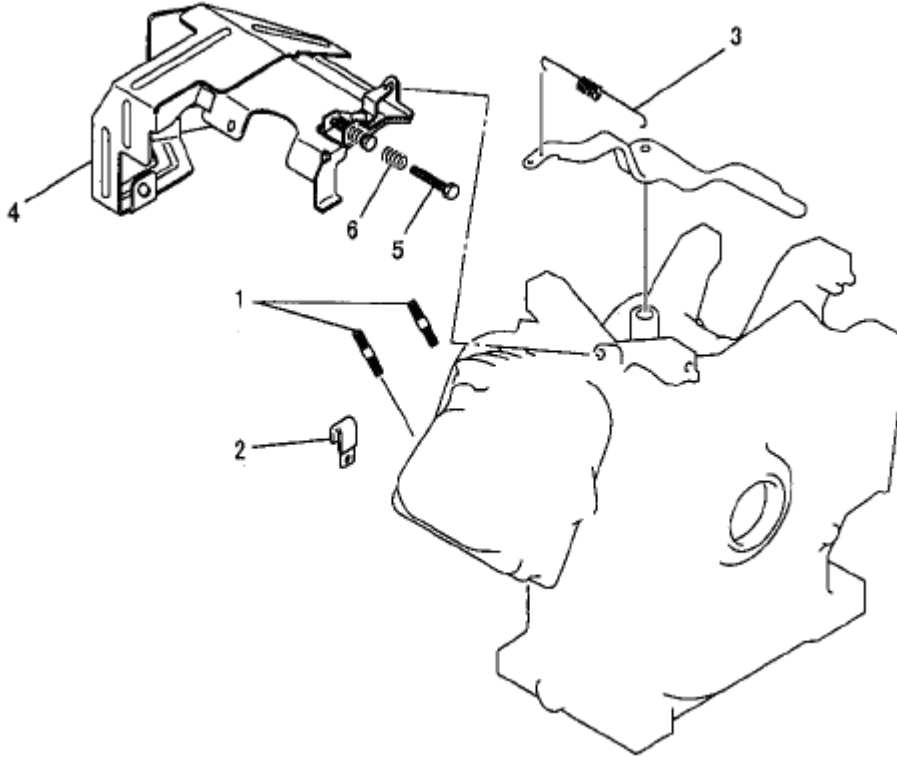
## W. OIL SENSOR GROUP



Number	Part Number	Parts Name	Number Required	Remarks
1	FA41303	Clamp	1	
2	FR64917	Clamp	1	
3	KE09021AA	Sensor, Oil	1	
4	KE33005BA	Unit, Sensor	1	
5	KE90102BA	Wire, Lead	1	
6	KE90168BA	Bracket, Unit	1	
7	B070A05X010	Bolt and Washer	2	
8	B805B06X012	Bolt, Flange	1	
9	KU14037AA	Bolt	2	
10	ZZ70028C	Nut, Conical Spg	1	
11	KW39066AA	Gasket	1	

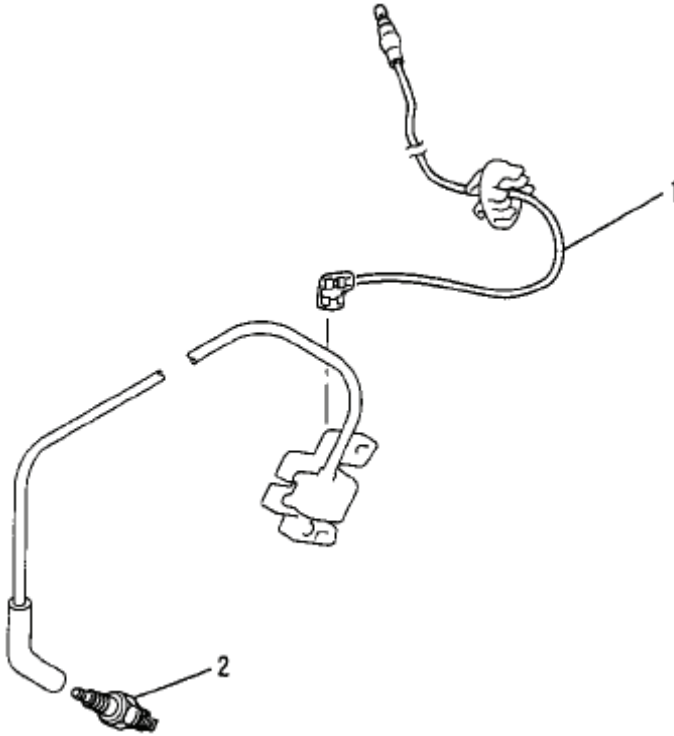


## 1. BOLT, CLAMP, COVER ETC.



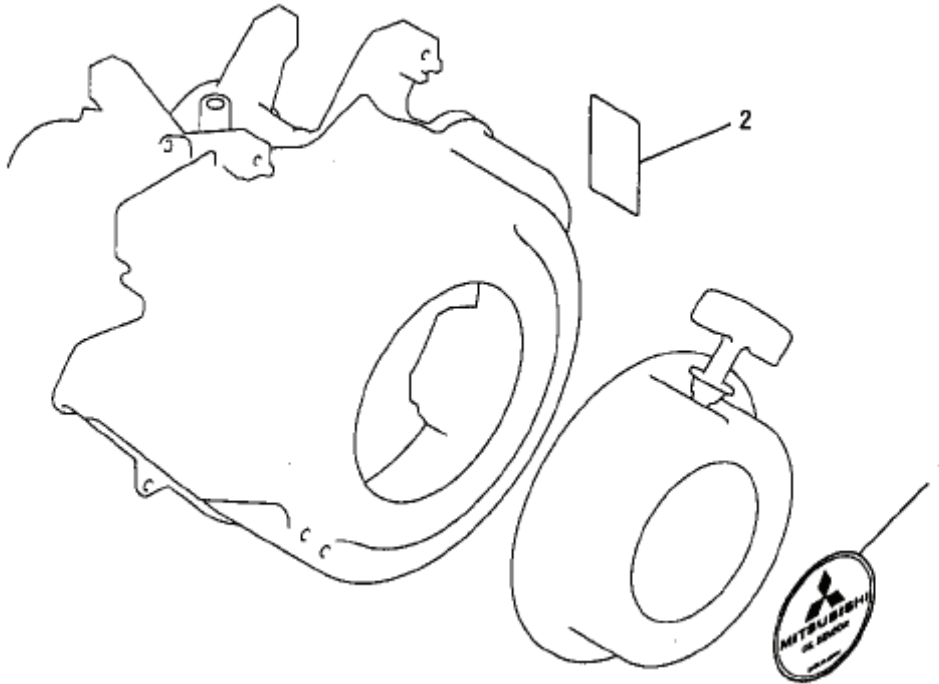
Number	Part Number	Parts Name	Number Required	Remarks
1	B155B08X020	Bolt, Stud	2	
2	FR56780	Clamp	1	
3	KG34017HA	Spring, Gov	1	
4	KH40051AA	Cover, Top	1	Incl. No. 5, 6
5	KU14032AA	Bolt	1	
6	KU80017AA	Spring	1	

## 2. LEAD WIRE, PLUG



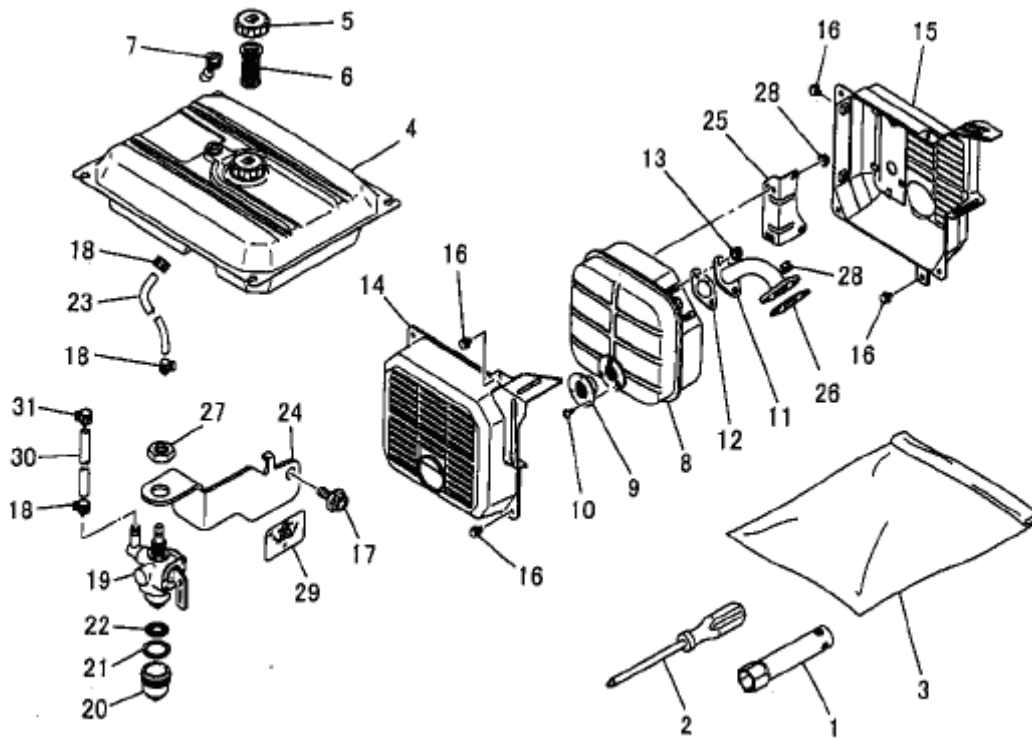
Number	Part Number	Parts Name	Number Required	Remarks
1	KE90101BA	Wire, Lead	1	
2	KE41005AA	Plug, Spark	1	BPR5ES

### 3. LABEL



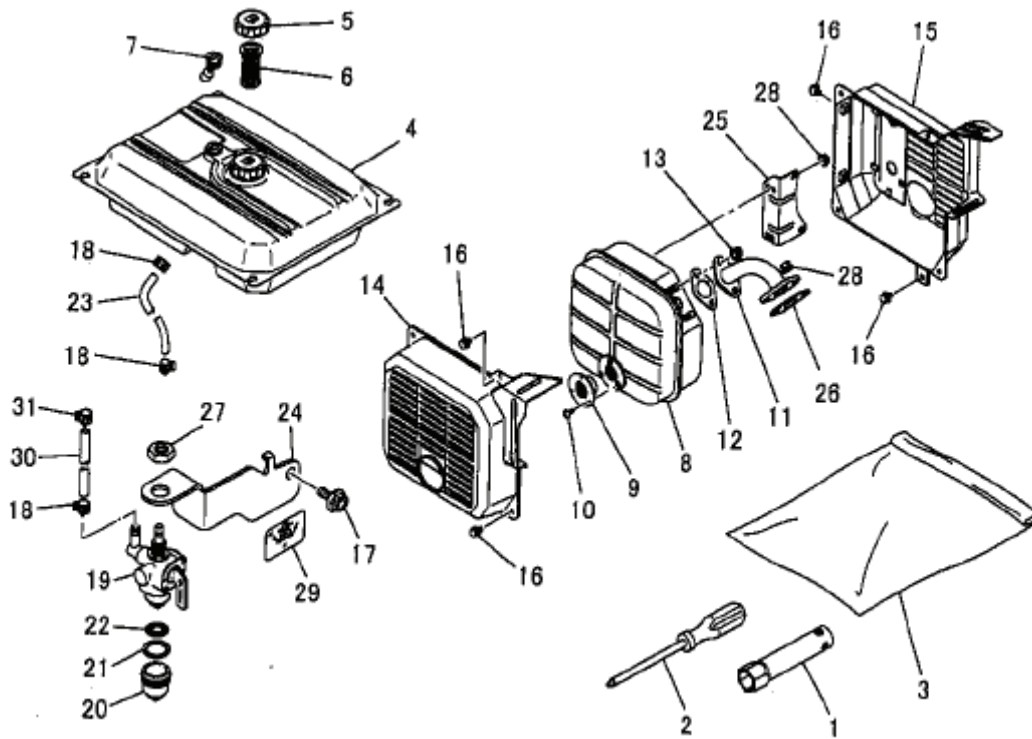
Number	Part Number	Parts Name	Number Required	Remarks
1	KW52185AA	Label, Name	1	
2	KW56198EA	Label	1	

#### 4. TOOL SET ETC.



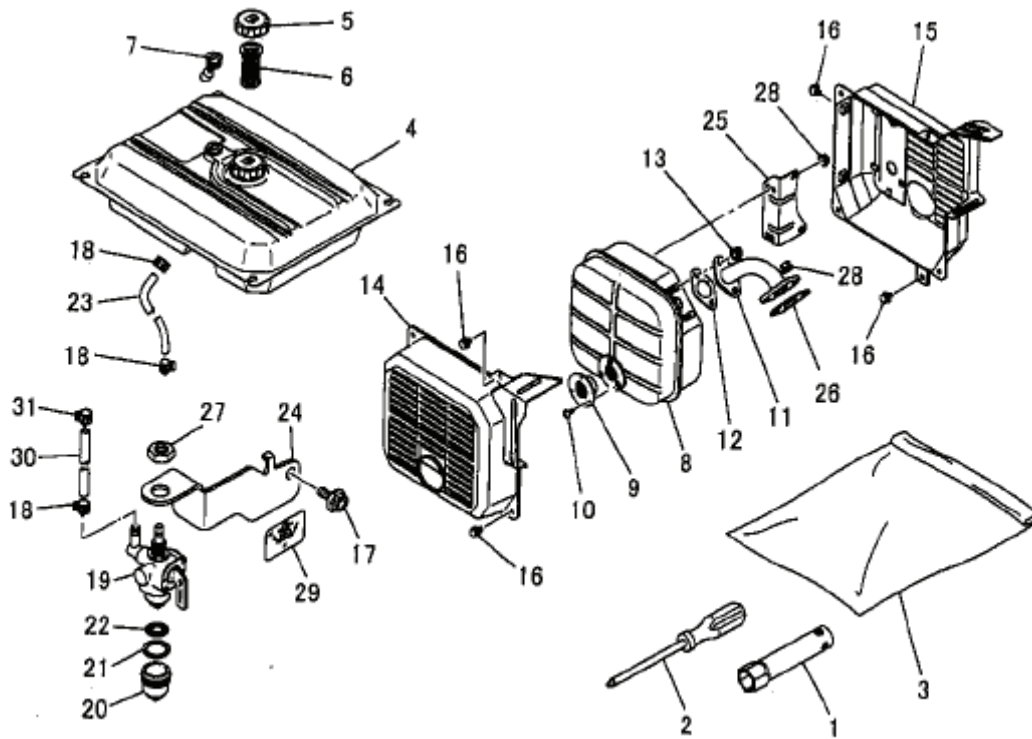
Number	Part Number	Parts Name	Number Required	Remarks
1	KN12004CA	Spanner, Box	1	
2	KN13001AA	Driver, Screw	1	
3	FA21533D	Bag, Tool	1	
4	KF04093FA	Fuel Tank Assy.	1	Incl. No. 5-7
5	KF05010CA	Tank Cap Assy.	1	
6	KF40003AA	Filter, Fuel	1	
7	KF90080DA	Gauge, Oil	1	
8	KM17024AA	Muffler	1	Incl. No. 9, 10
9	KM17024AA015	Screen	1	
10	W006D04X008K	Screw	3	
11	KM30007AA	Pipe, Exhaust	1	
12	KM70032AB	Gasket, Muffler	1	

#### 4. TOOL SET ETC.



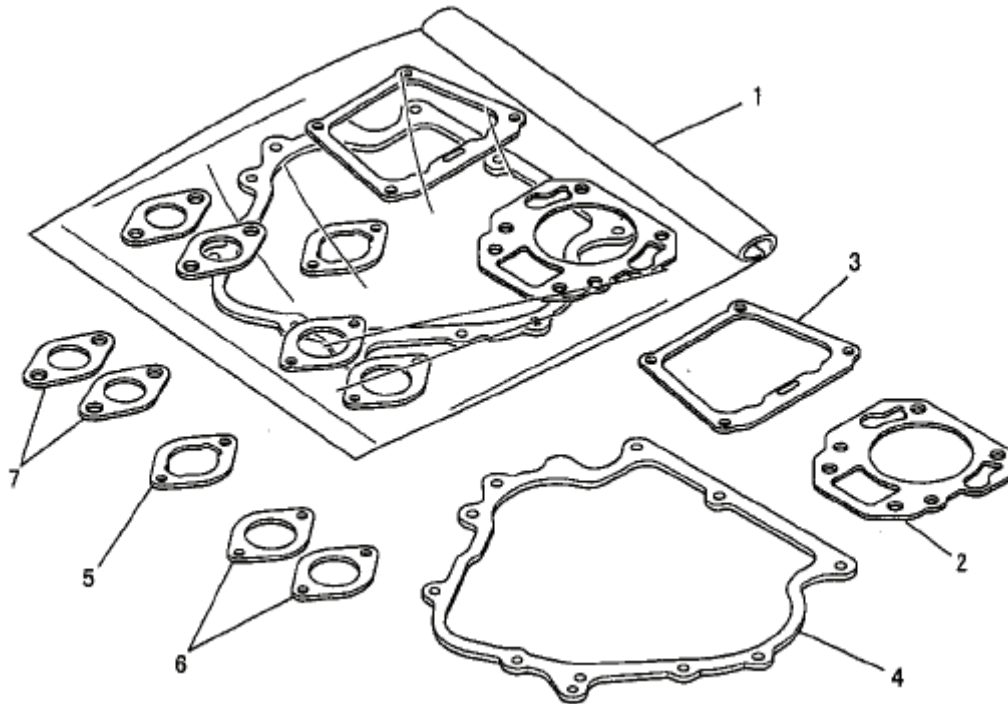
Number	Part Number	Parts Name	Number Required	Remarks
13	ZZ70028C	Nut, Conical Spg	2	
14	KM27043AA	Cover, Muffler	1	
15	KM27044BA	Cover, Muffler	1	
16	B800A06X008K	Bolt, Flange	7	
17	B800A06X012	Bolt, Flange	1	
18	FR53226	Clip	3	
19	KF31038AA	Cock, Fuel	1	Incl. No. 20-22
20	KF31032AA006	Cup	1	
21	KF31032AA006	Packing	1	
22	KF31038AA010	Filter, Fuel	1	
23	KF90230AA320	Hose, Fuel	1	
24	KF90234AA	Bracket, Fuel Cock	1	

#### 4. TOOL SET ETC.



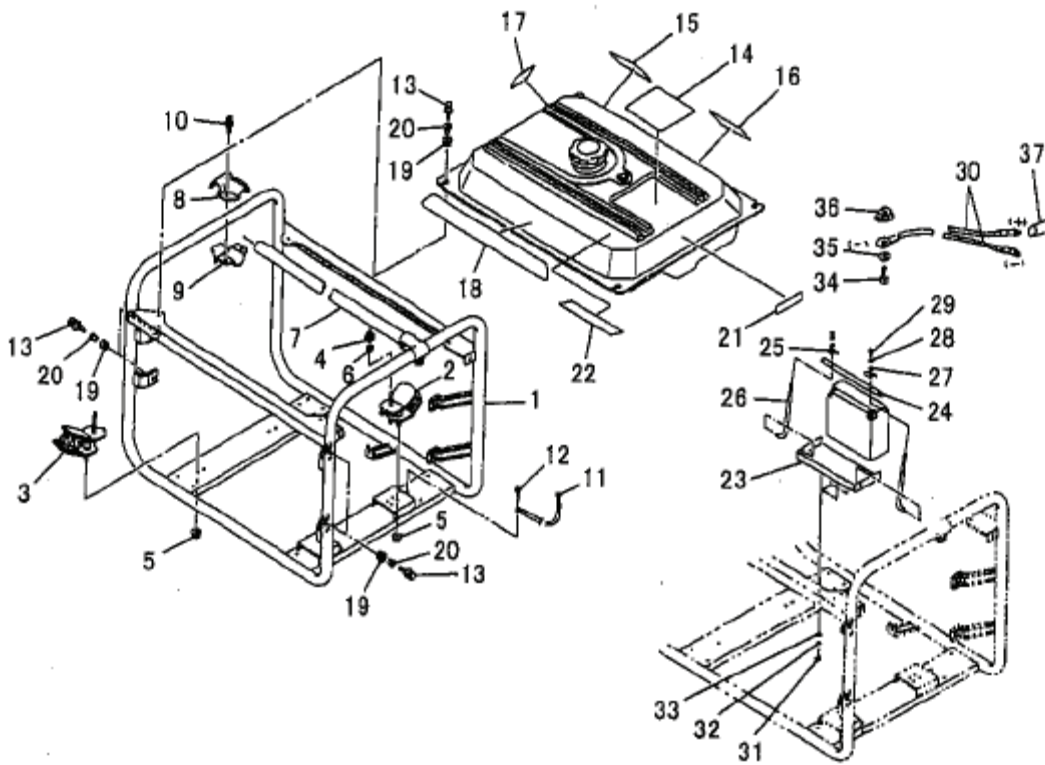
Number	Part Number	Parts Name	Number Required	Remarks
25	KM60015AA	Bracket, Muffler	1	
26	KM70032AB	Gasket, Muffler	1	
27	N012A10	Nut, J	1	
28	ZZ70028C	Nut, Conical Spg.	4	
29	KW56266AA	Label	1	
30	KF90230AA160	Hose, Fuel	1	
31	FR53226	Clip	1	

## 5. GASKET SET



Number	Part Number	Parts Name	Number Required	Remarks
1	KW39068YA	Gasket Set	1	Incl. No. 2-7
2	KC68001AA	Gasket, Head	1	
3	KW33003AA	Gasket, Head Cover	1	
4	KW31010AA	Gasket, Crank Case	1	
5	KW34055AA	Gasket, Carburetor	1	
6	KW34052AA	Gasket, Carburetor	2	
7	KM70032AB	Gasket, Muffler	2	

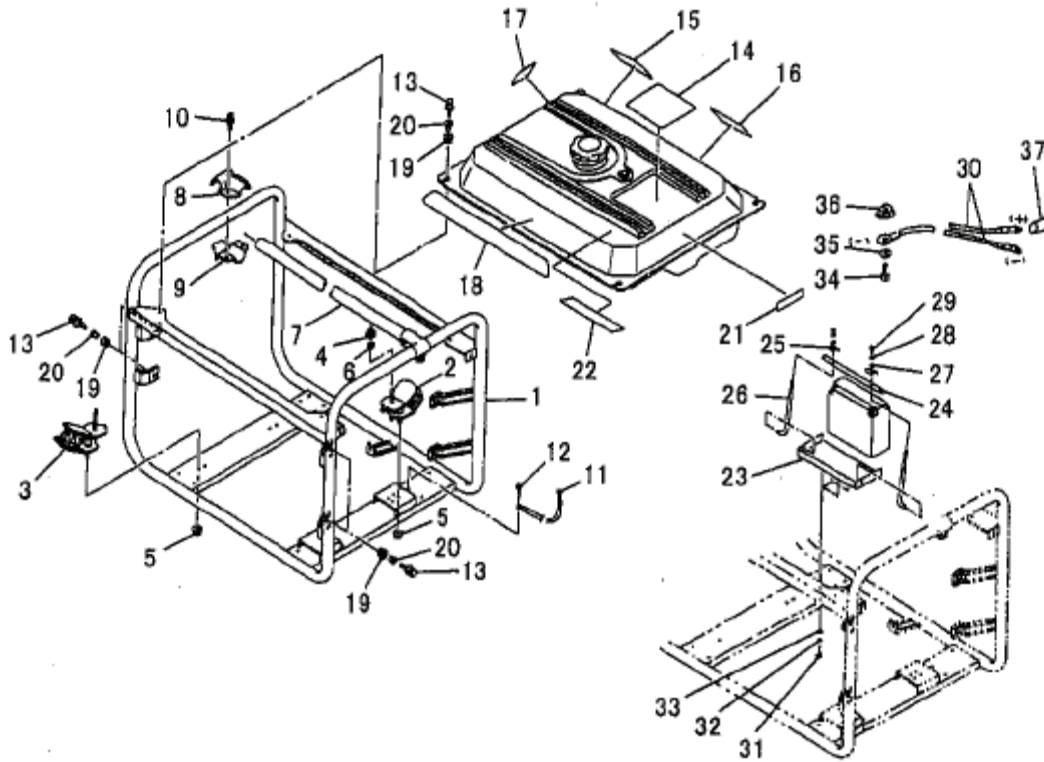
## 6. FRAME AND TANK



Number	Part Number	Parts Name	Number Required	Remarks
1	KYF011005210	MG Pipe Frame UN	1	
2	KYG060000842	MG Rubber Mount UN	2	
3	KYG060000871	MG Rubber Mount UN	2	
4	KY0022010000	Nut, Flange	4	
5	KY0022008000	Nut, Flange	4	
6	KY0030010000	Washer	1	
7	KYF272000011	MG Frame, Pipe	2	
8	KYF052000020	Clamp	4	
9	KYF052000030	Clamp	4	
10	KY0013006020	MG Bolt	8	
11	KYF070000300	MG Earth Wire	1	
12	KY0011305008	Screw and Washer	1	

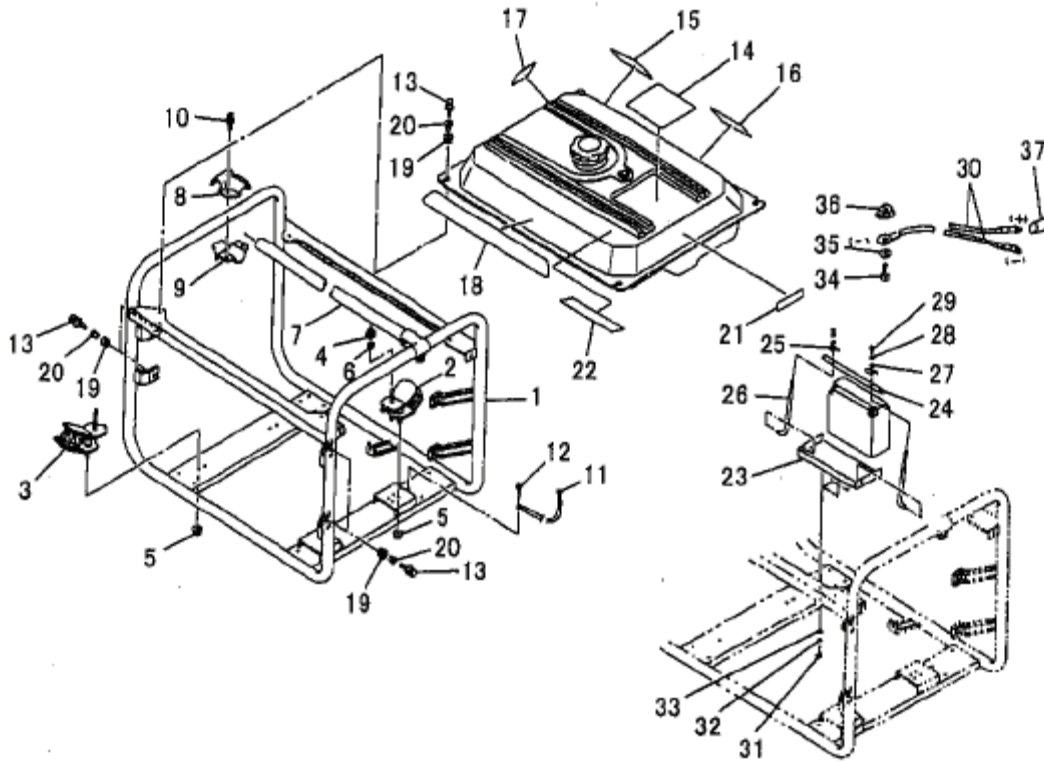


## 6. FRAME AND TANK



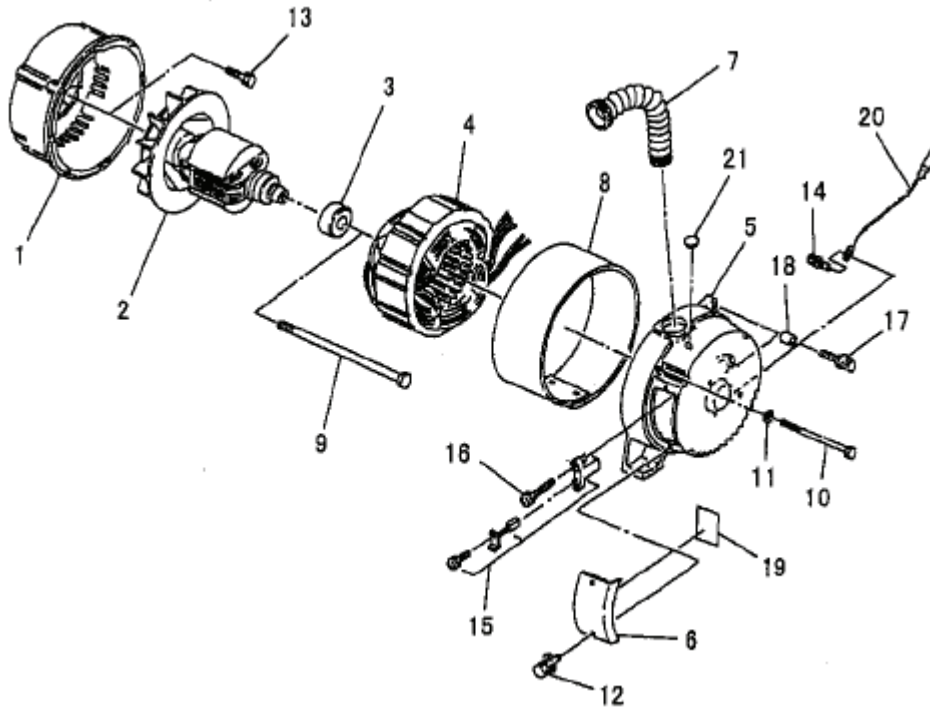
Number	Part Number	Parts Name	Number Required	Remarks
13	KY0012906020	MG Bolt, Flange	8	
14	KYT025002580	MG Label, Caution	1	
15	KYT020002590	MG Label, Caution	1	
16	KYT020002600	MG Label, Caution	1	
17	KYC081000450	Label	1	
18	KYC011400860	Label	1	
19	KU50018AA	Bush	8	
20	KU50019AA	Spacer	8	
21	KYB12M210130	MG Label, Spec	1	
22	KYT020002610	MG Label, GFCI	1	
23	KYF080000270	MG Bracket	1	
24	KYF090000100	Retainer	1	

## 6. FRAME AND TANK



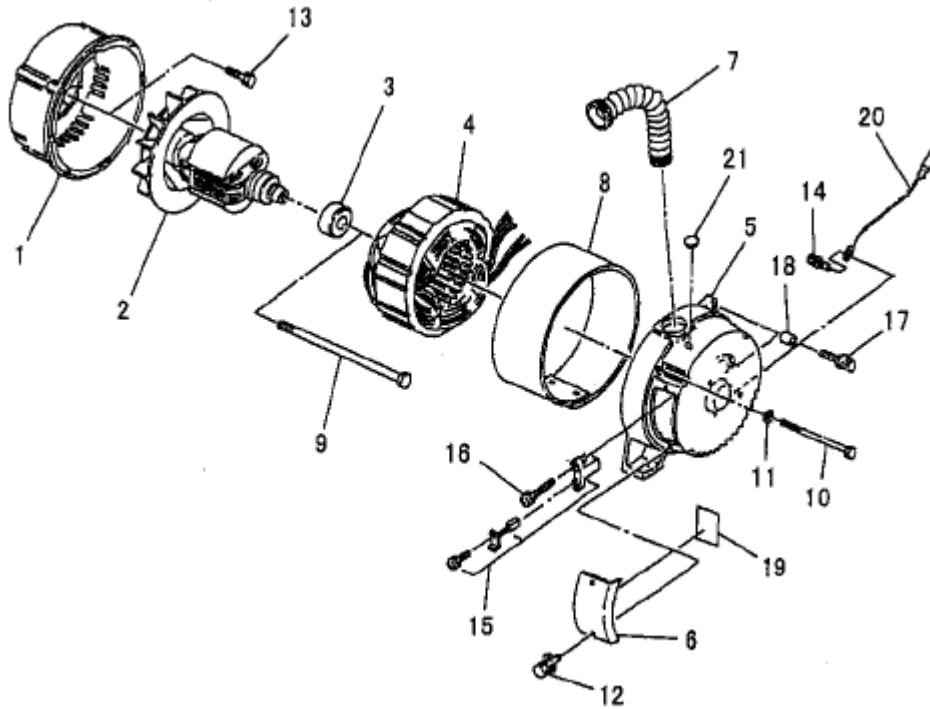
Number	Part Number	Parts Name	Number Required	Remarks
25	KYF091000031	MG Spacer	2	
26	KYF100000011	MG Bolt	2	
27	KY0030006000	Washer	2	
28	KY0030306000	Washer, Spg	2	
29	KY0020006000	MG Nut	2	
30	KYB040000470	MG Cord, Battery	1	Incl. No. 37
31	KY0010508015	MG Bolt	4	
32	KY0030308000	Washer, Spg	4	
33	KY0030008000	Washer	4	
34	KY0010508030	Bolt	1	
35	KY0030008000	Washer	1	
36	KY0022008000	Nut, Flange	1	
37	KY0690000010	MG Cap	1	

## 7. GENERATOR



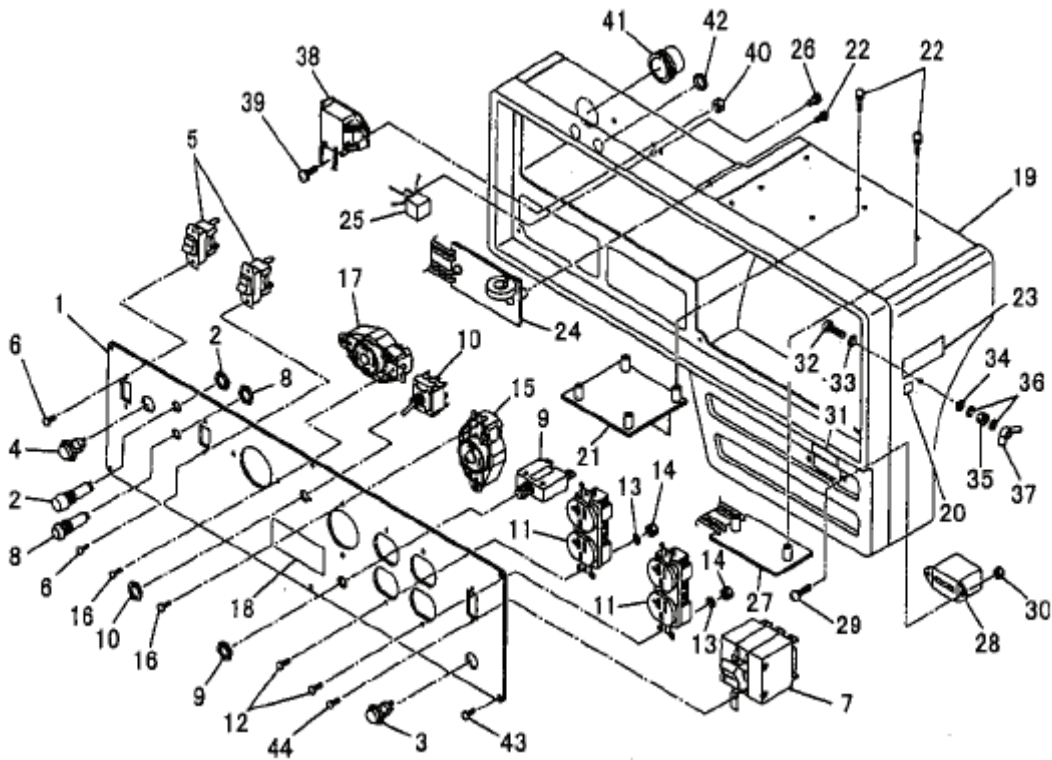
Number	Part Number	Parts Name	Number Required	Remarks
1	KYG010000551	MG Bracket, Front	1	
2	KYG020001773	Rotor	1	
3	KY0006205DDU	Bearing, Ball	1	
4	KYG040006790	MG Stator CP	1	
5	KYG080001231	MG Rear Cover	1	
6	KYG110000020	MG Brush Cover	1	
7	KYG070000270	MG Bushing	1	
8	KYG120001341	Cover	1	
9	KY0013510260	Bolt	1	
10	KY0013508170	Bolt	4	
11	KY0030308000	Washer, SPG	4	
12	KY0013705012	Bolt and Washer	2	

## 7. GENERATOR



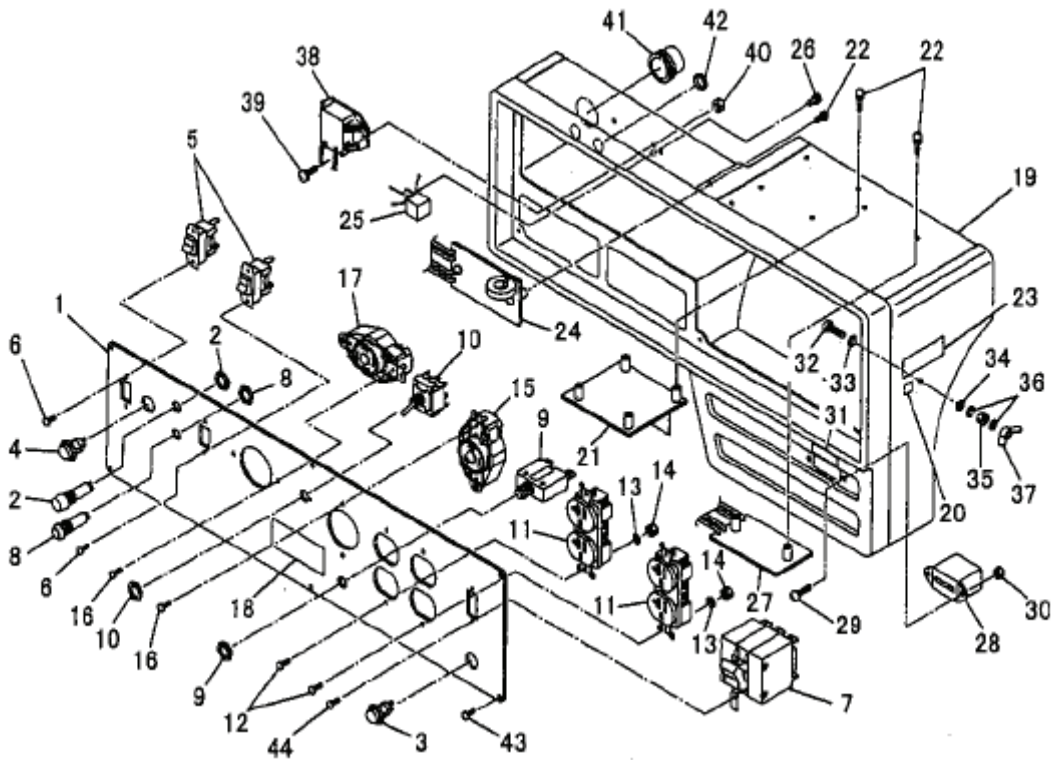
Number	Part Number	Parts Name	Number Required	Remarks
13	KY0013708020	MG Bolt	4	
14	KY0011204006	Screw and Washer	1	
15	KYG100000031	MG Brush Holder	1	
16	KY0011205020	MG Screw	2	
17	KY0013708030	MG Bolt	2	
18	KYG150000450	MG Spacer	2	
19	KYC011900290	MG Label	1	
20	KYC190000690	MG Earth Wire	1	
21	KYC180000140	MG Grommet	1	

## 8. CONTROL BOX



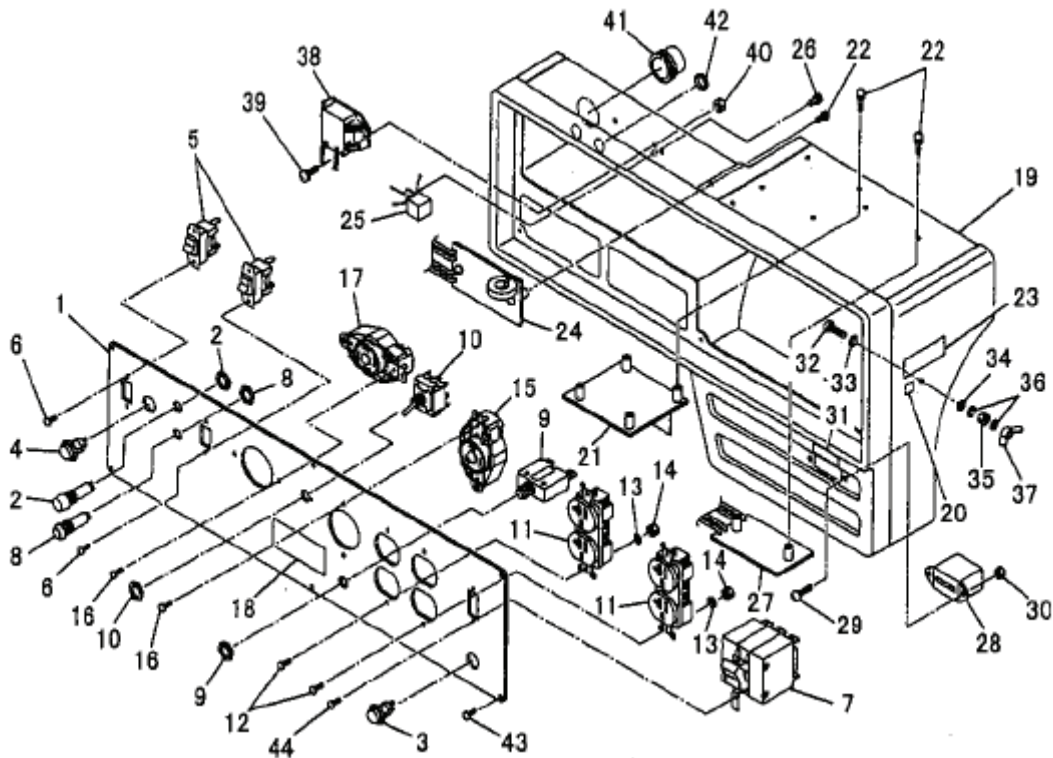
Number	Part Number	Parts Name	Number Required	Remarks
1	KYC011018940	MG Print, Panel	1	
2	KY01400110G0	MG Lamp, Pilot	1	
3	KY0131449003	MG Switch, Push	1	
4	KY0131450003	MG Push Sw	1	
5	KY0130757105	Switch	2	
6	KY0013303005	MG Screw	4	
7	KY0081259025	MG Breaker	1	
8	KY035100009R	MG LED CP	1	
9	KY16068CA	MG Protector	1	
10	KY0130312025	Switch	1	
11	KY16073AA	MG Connect	2	
12	KY0013304010	Screw and Washer	4	

## 8. CONTROL BOX



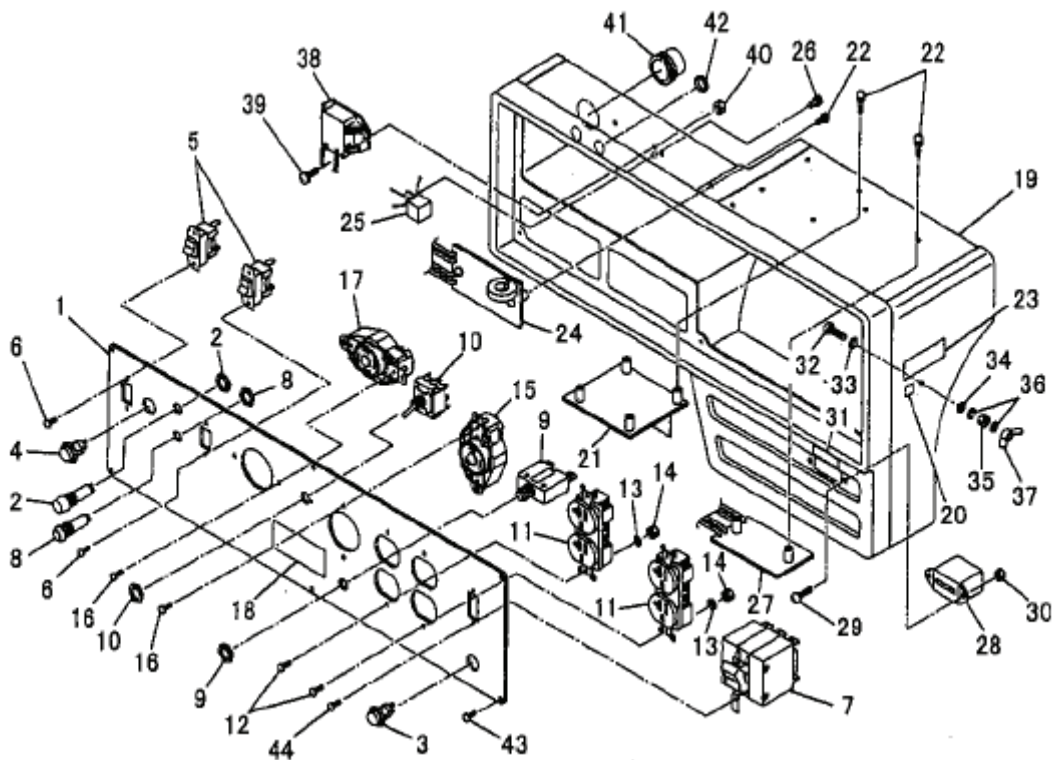
Number	Part Number	Parts Name	Number Required	Remarks
13	KY0030004000	MG Washer	4	
14	KY0020004000	MG Nut	4	
15	KY0065605130	MG Receptacle	1	
16	KY0013130510	Screw	4	
17	KY0065906330	MG Receptacle	1	
18	KYT020002620	MG Label, FPSW	1	
19	KY90074FA	Panel, Control	1	
20	KYC011700081	MG Label, Earth Mark	1	
21	KYC021002283	MG AVR UN	1	
22	KY0011204006	Screw and Washer	1	
23	KYC011900180	MG Label	1	
24	KYC150000211	MG Idle Control Un	1	

## 8. CONTROL BOX



Number	Part Number	Parts Name	Number Required	Remarks
25	FA28217	Rectifier	1	
26	KY0012906010	MG Bolt, Flange	1	
27	KYC150000240	MG GFCI UN	1	
28	KN60193AA	Provided Parts	1	
29	H071D03X008K	Screw and Washer	2	
30	N001A03	Nut	2	
31	KYC011900900	MG Label, HM	1	
32	KY0010205025	MG Screw	1	
33	KY0031205000	MG Washer, Spg	1	
34	KY0030105000	MG Washer	1	
35	KY0021905000	MG Nut	1	
36	KY0030405000	Washer, Spg	2	

## 8. CONTROL BOX



Number	Part Number	Parts Name	Number Required	Remarks
37	KY0021805000	MG Wing Nut	1	
38	KE60009AA	Regulator	1	
39	KY0013705015	MG Bolt	2	
40	KY0020005000	MG Nut	2	
41	KYG070000120	MG Bushing	1	
42	KY0321140908	MG Grommet	2	
43	KY0013304010	Screw and Washer	6	
44	KY0013304010	Screw and Washer	2	