

# **MGE Series Generators**

## **Model**

**MGE4800ZREA**

## **Parts Breakdown**

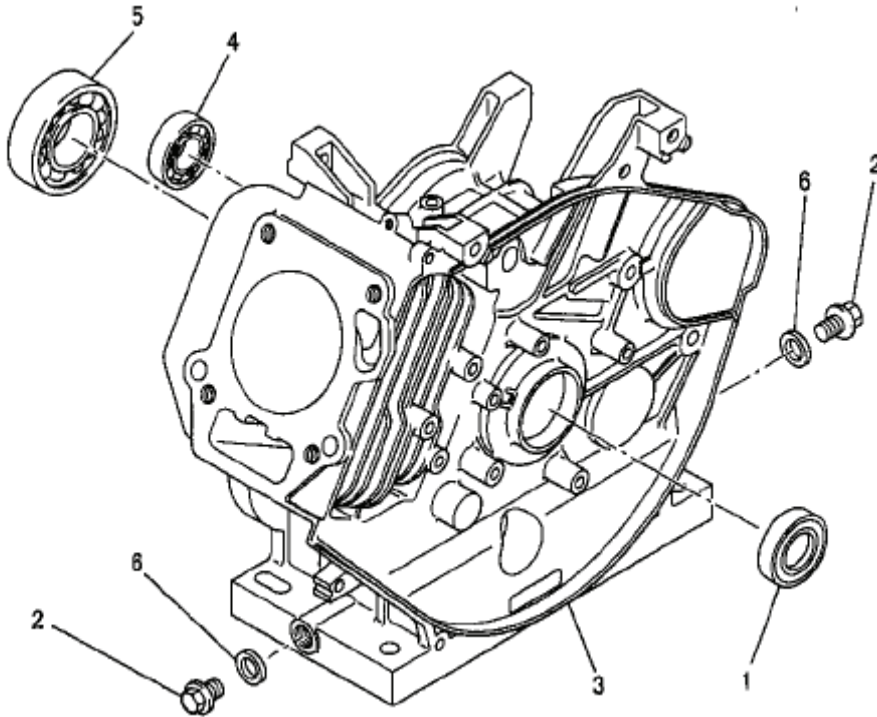
### **Remarks on Parts Catalog**

1. This parts catalog contains all parts for the MITSUBISHI GENERATOR "MGE4800ZREA."
2. The figures in drawings are the index number of the parts.
3. When ordering parts, please clarify the part number and name or engine model name and give to your dealer.
4. Please note that part numbers may be changed periodically without notice.

**Table of Contents**

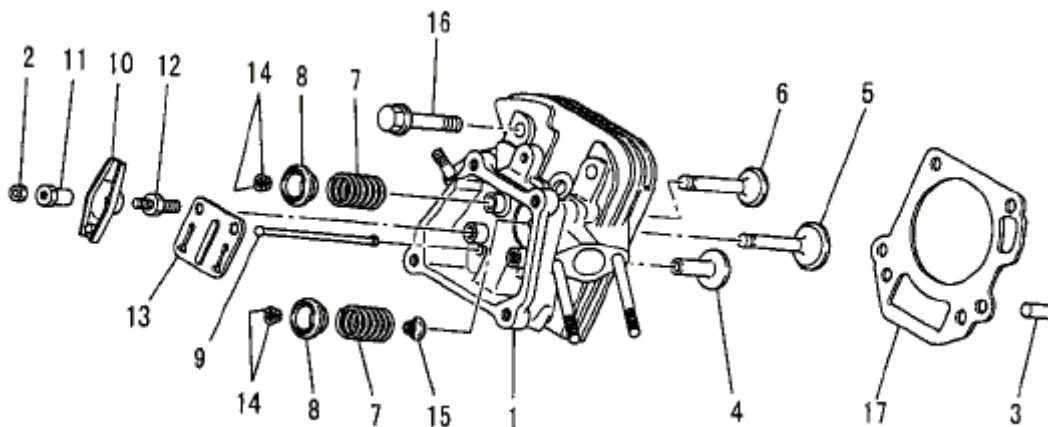
	<b>Page</b>
A. Cylinder Block Group	4
B. Cylinder Head Group	5, 6
C. Head Cover Group	7
D. Case Cover Group	8, 9
E. Crankshaft Group	10
F. Piston and Rod Group	11
G. Magnet Group	12
H. Air Cleaner Group	13, 14
I. Carburetor Group	15, 16, 17
J. Control Panel Group	18, 19
K. Fan Cover Group	20
L. Cylinder Cover Group	21
Q. Cell Group	22, 23
R. Recoil Starter Group	24
W. Oil Sensor Group	25
1. Bolt, Clamp Cover, Etc.	26
2. Lead Wire, Plug	27
3. Label, Fuel Hose	28
4. Tool Set, Etc.	29, 30, 31
5. Gasket Set	32
6. Frame and Tank	33, 34, 35
7. Generator	36, 37
8. Control Box	38, 39, 40, 41

## A. CYLINDER BLOCK GROUP



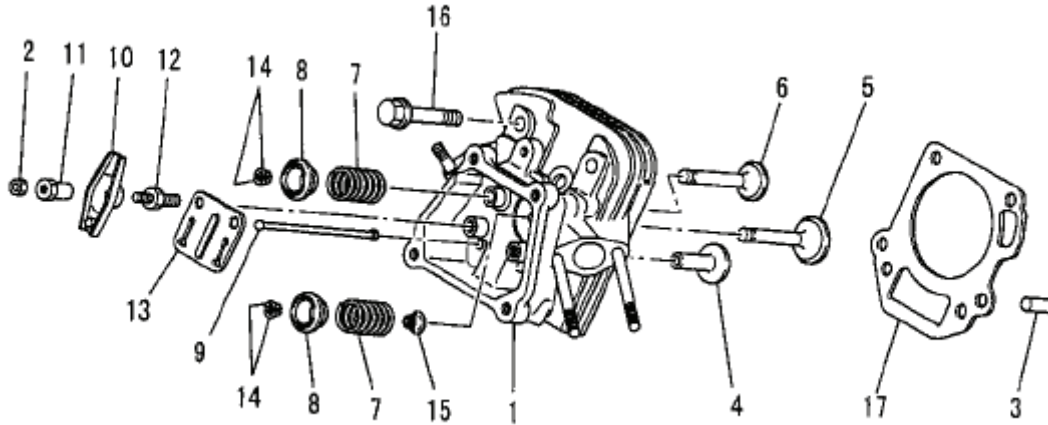
Number	Part Number	Parts Name	Number Required	Remarks
1	FA28011	Oil Seal	1	
2	FN11223	Plug, Drain	2	
3	KB46007DA	Cylinder Block	1	
4	S111X62X030	Bearing, Ball	1	#6203
5	S111X62X060	Bearing, Ball	1	#6206
6	ZZ70013A	Gasket	2	

## B. CYLINDER HEAD GROUP



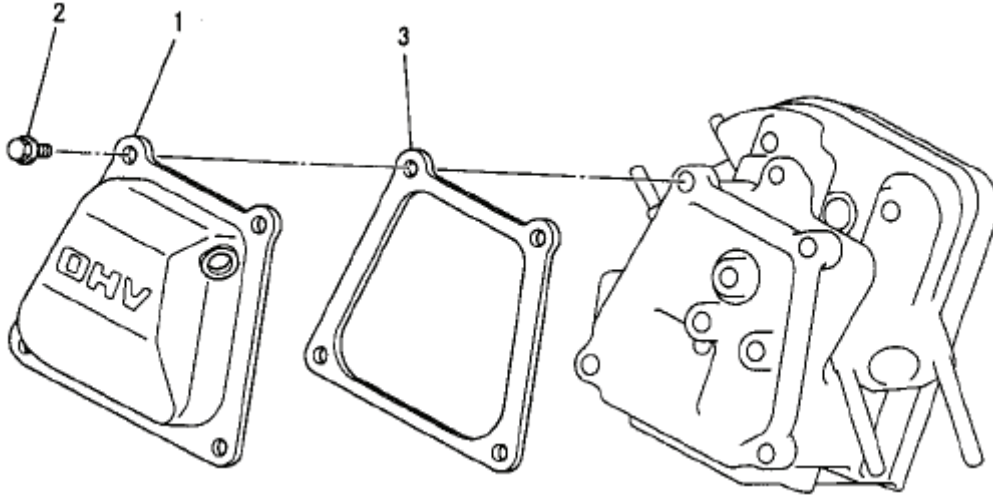
Number	Part Number	Parts Name	Number Required	Remarks
1	KC02029AA	Cylinder Head Assembly	1	With B155B06X085
2	KU23009AA	Nut	2	
3	KU44001AA	Pin, Dowel	2	
4	KV24003AA	Tappet	2	
5	KV35002BA	Valve, Intake	1	
6	KV45002AA	Valve, Exhaust	1	
7	KV55006AA	Spring, Valve	2	
8	KV65003AA	Retainer, Valve Spring	2	
9	KV71004AA	Rod, Push	2	
10	KV72003AA	Arm, Rocker	2	
11	KV73002AA	Nut	2	
12	KV74002AA	Bolt	2	

## B. CYLINDER HEAD GROUP



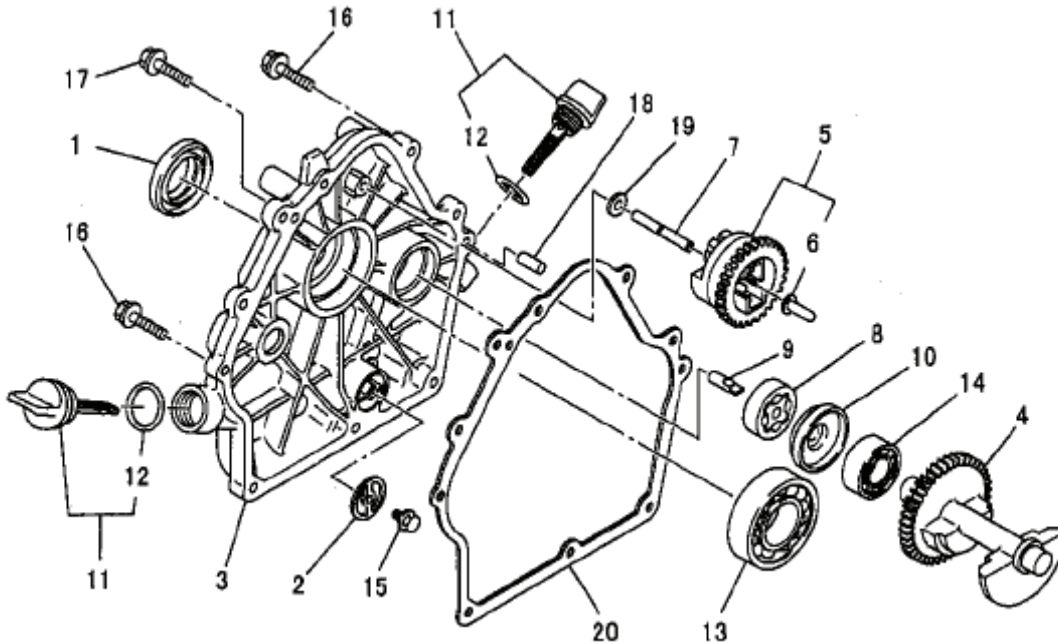
Number	Part Number	Parts Name	Number Required	Remarks
13	KV75006AA	Plate	1	
14	KV75007AA	Cotter	4	
15	KW21019AA	Seal, Valve Stem	1	
16	B800B10X065	Bolt, Flange	4	
17	KC66009AA	Gasket, Head	1	

### C. HEAD COVER GROUP



Number	Part Number	Parts Name	Number Required	Remarks
1	KC09002AA	Cover, Head	1	
2	B805B06X012	Bolt, Flange	4	
3	KW33002AA	Gasket, Head Cover	1	

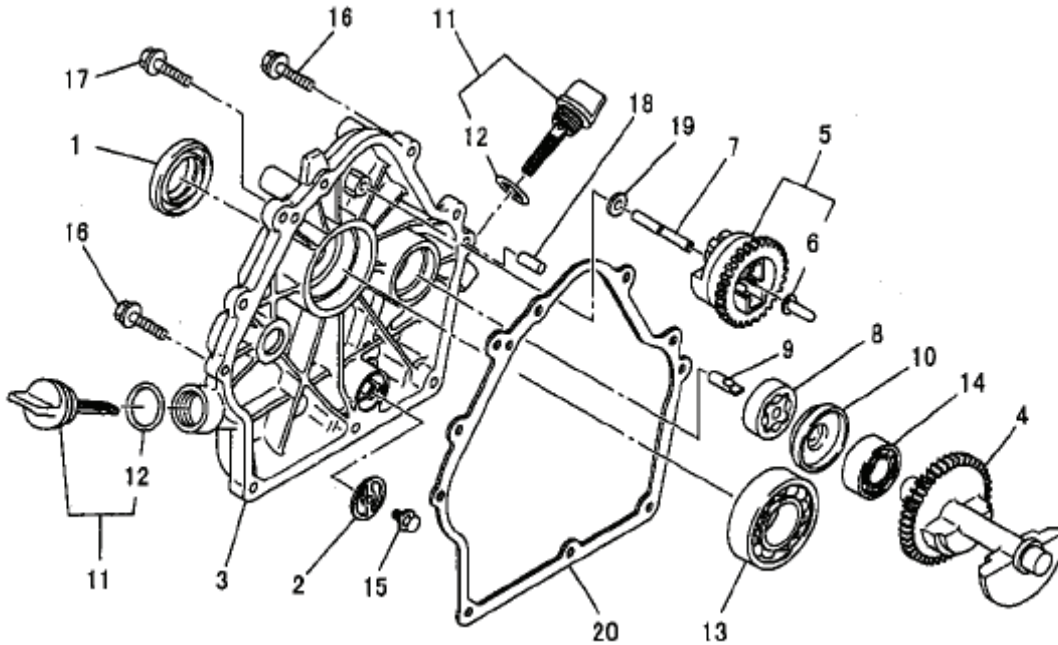
## D. CASE COVER GROUP



Number	Part Number	Parts Name	Number Required	Remarks
1	FA29008	Oil Seal	1	
2	FA31015	Filter, Oil	1	
3	KB66008GA	Cover, Crankcase	1	
4	KD51002AA	Shaft, Balancer	1	
5	KG01003CA	Governor Gear Assy.	1	Incl. No. 6
6	KG14004AA	Slider, Gov	1	
7	KG22004AA	Shaft, Gov	1	
8	KL11001AA	Pump, Oil	1	
9	KL14009AA	Shaft	1	
10	KL14010AA	Spacer	1	
11	KL21005EA	Gauge, Oil	2	Incl. No. 12
12	KW29006AA	O-Ring	2	

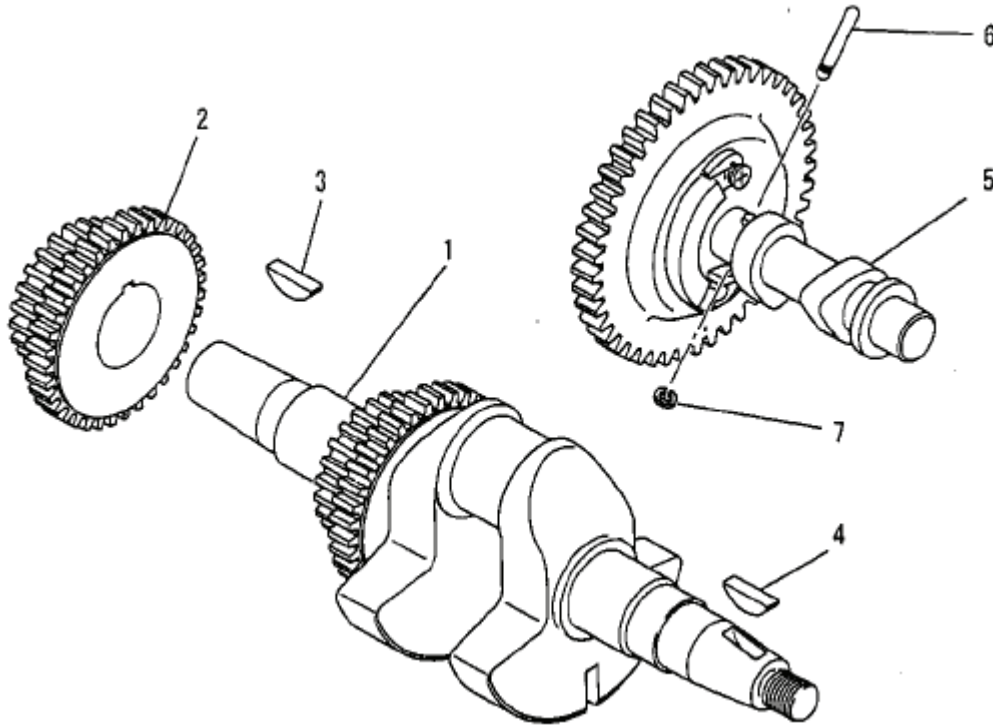


## D. CASE COVER GROUP



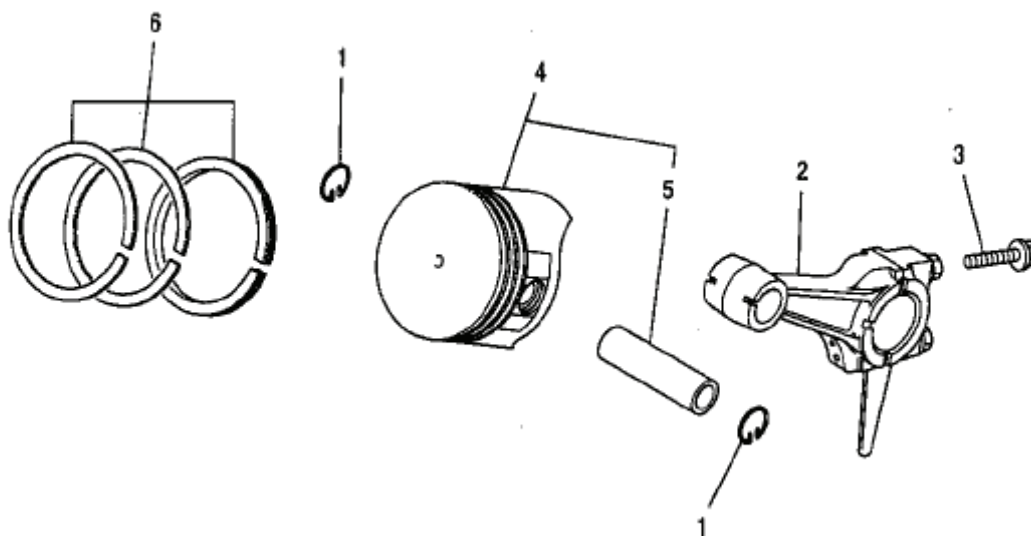
Number	Part Number	Parts Name	Number Required	Remarks
13	S111X62X060	Bearing, Ball	1	#6206
14	S111X62X030	Bearing, Ball	1	#6203
15	B800A06X008	Bolt, Flange	1	
16	B800B08X030	Bolt, Flange	8	
17	KU14031AA	Bolt, Flange	1	
18	KU44001AA	Pin, Dowel	2	
19	W200H06	Washer	1	
20	KW31007AA	Gasket, Crankcase	1	

## E. CRANKSHAFT GROUP



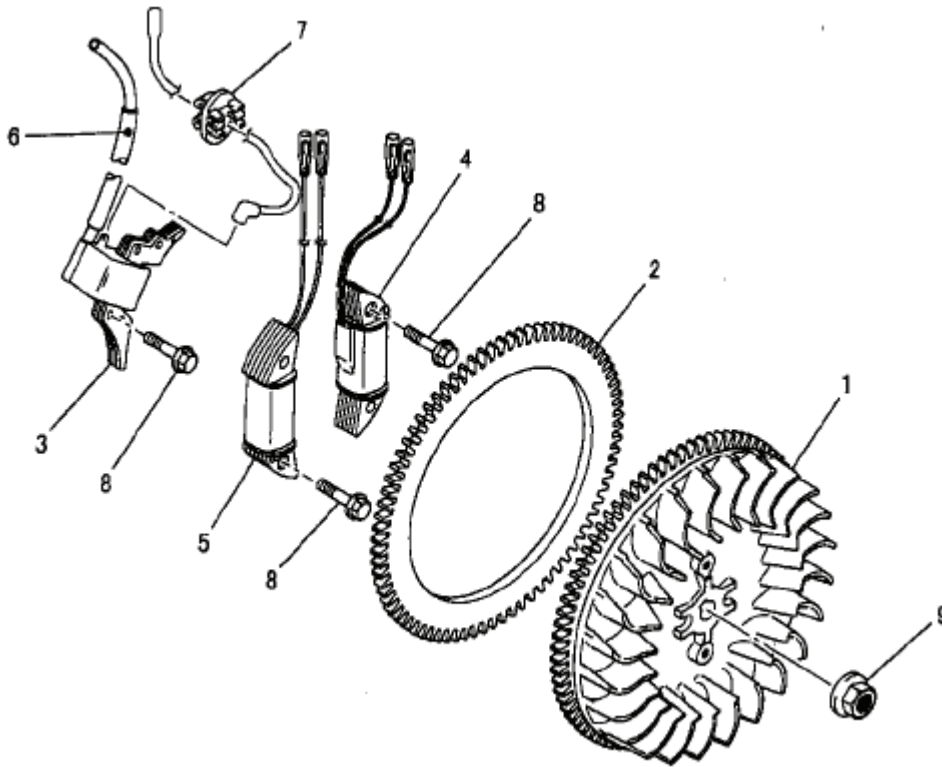
Number	Part Number	Parts Name	Number Required	Remarks
1	KD02059EA	Crankshaft Assy.	1	Incl. No. 2,3
2	KD63040AA	Gear, Crankshaft	1	
3	KD90012AA	Key, Woodruff	1	
4	W430B05X016	Key, Woodruff	1	
5	KV01196AA	Camshaft Gear Assy	1	Incl. No. 6, 7
6	KV83009FA	Pin	1	
7	S500P03	Snap Ring	1	

## F. PISTON AND ROD GROUP



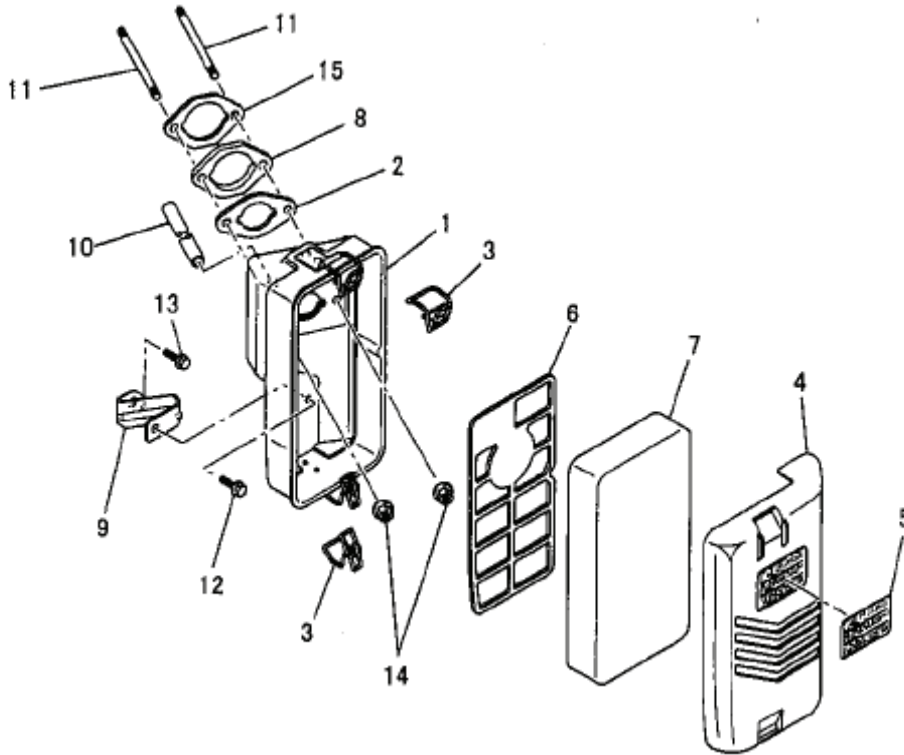
Number	Part Number	Parts Name	Number Required	Remarks
1	BG04486	Clip, Piston Pin	2	
2	KD03020AA	Connecting Rod Assy	1	Std. Incl. No. 3
2	KD03020BA	Connecting Rod Assy	1	US 0.25 Incl. No. 3
2	KD03020CA	Connecting Rod Assy	1	US 0.50 Incl. No. 3
3	KD70001AA	Bolt	2	
4	KP01048AA	Piston Set	1	Std. Incl. No. 5
4	KP01048BA	Piston Set	1	OS 0.25 Incl. No. 5
4	KP01048CA	Piston Set	1	OS 0.50 Incl. No. 5
5	KP57002AA	Pin, Piston	1	
6	KP02010AA	Piston Ring Set	1	Std
6	KP02010BA	Piston Ring Set	1	OS 0.25
6	KP02010CA	Piston Ring Set	1	OS 0.50

## G. MAGNET GROUP



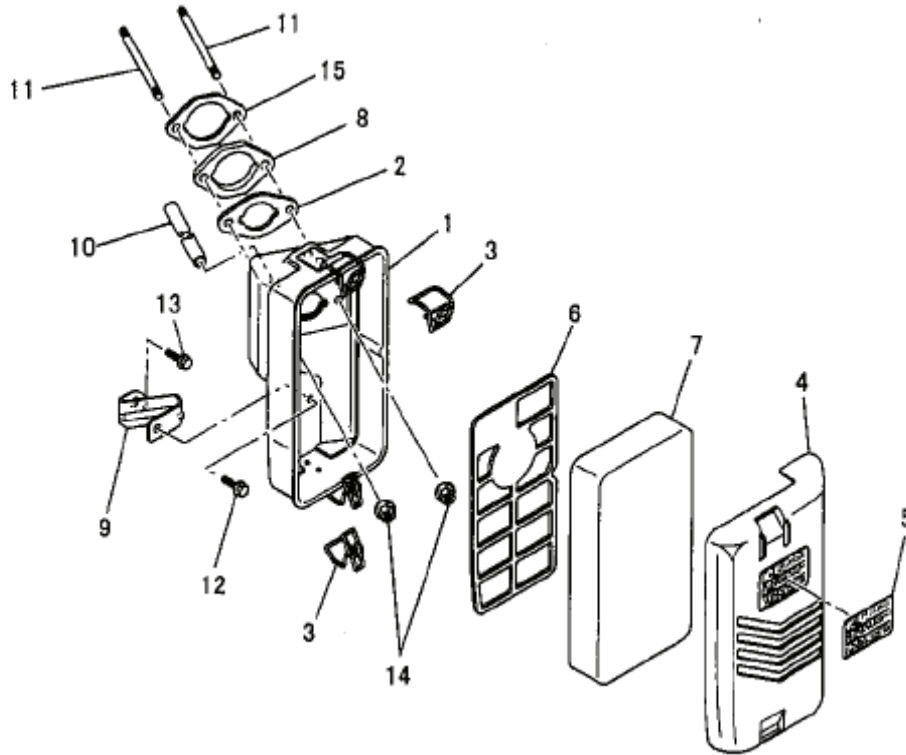
Number	Part Number	Parts Name	Number Required	Remarks
1	KE02088AA	Flywheel Gear Assy.	1	Incl. No. 2
2	KS90020BA	Gear, Ring	1	
3	KE24010BA	Coil, Ignition	1	
4	KE25001BA	Coil, Lighting	1	
5	KE25002AA	Coil, Charge	1	
6	KE90073AA	Tube	1	
7	KU70007AA	Clip	1	
8	B805B06X030	Bolt, Flange	6	
9	FA29015	Nut, Flange	1	

## H. AIR CLEANER GROUP



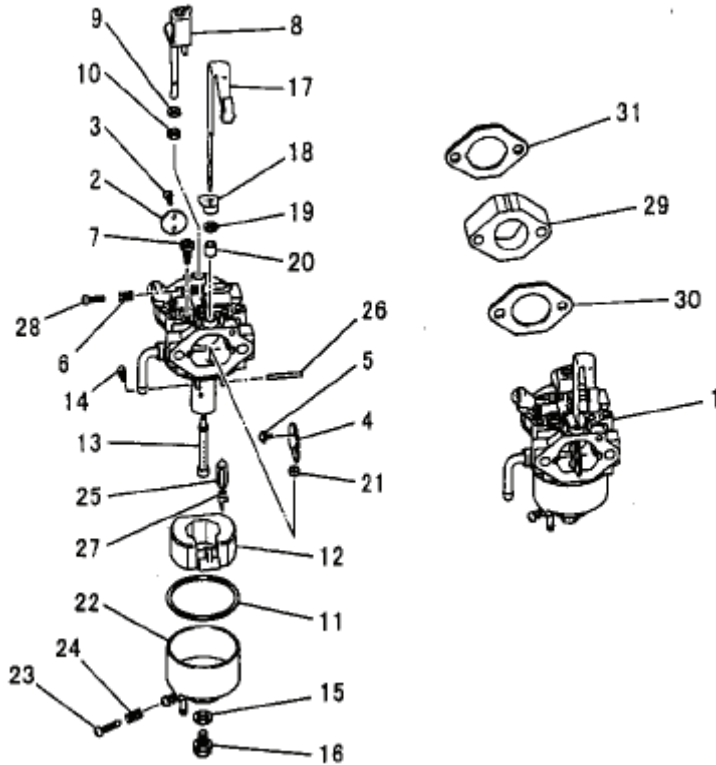
Number	Part Number	Parts Name	Number Required	Remarks
1	KA11009AA	Case, Cleaner	1	Incl. No. 2, 3
2	KA11004BA007	Gasket	1	
3	KA90144AA	Holder	2	
4	KA20045AA	Cover, Cleaner	1	Incl. No. 5
5	FA24115	Label, Instruction	1	
6	KA30016AA	Grid	1	
7	KA40059AA	Element, Cleaner	1	
8	KA90059CA	Spacer	1	
9	KA90097AA	Bracket	1	
10	ZZ70002M	Tube, Breather	1	
11	B155B06X085	Bolt, Stud	2	
12	B800A06X008	Bolt, Flange	1	

## H. AIR CLEANER GROUP



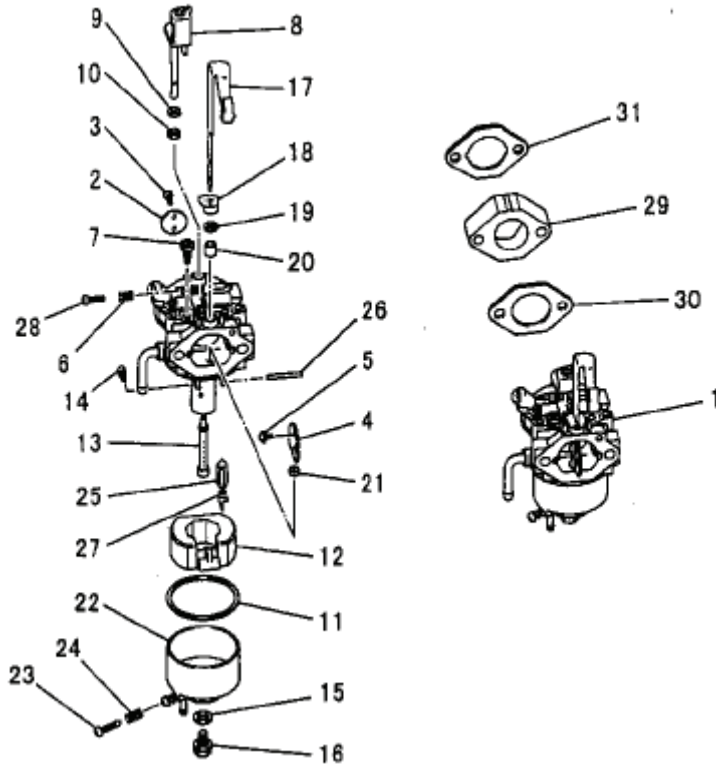
Number	Part Number	Parts Name	Number Required	Remarks
13	B805B06X012	Bolt, Flange	1	
14	N801A06	Nut, Flange	2	
15	KW34005AA	Gasket, Carburetor	1	

## I. CARBURETOR GROUP



Number	Part Number	Parts Name	Number Required	Remarks
1	KK15015BD	Carburetor (F)	1	Incl. No. 2-28
2	KK15011AA002	Valve, Throttle	1	
3	KK12025AA003	Screw	2	
4	KK15003AE004	Valve, Choke	1	
5	KK12025AA005	Screw	2	
6	FA27080XX003	Spring	1	
7	KK15016AA008	Jet, Pilot	1	
8	KK15008XY011	Shaft, Throttle	1	
9	KK12008AE015	Packing	1	
10	KK12008AE016	Seal	1	
11	KK15003AE014	Packing	1	
12	KK15003AE015	Float	1	

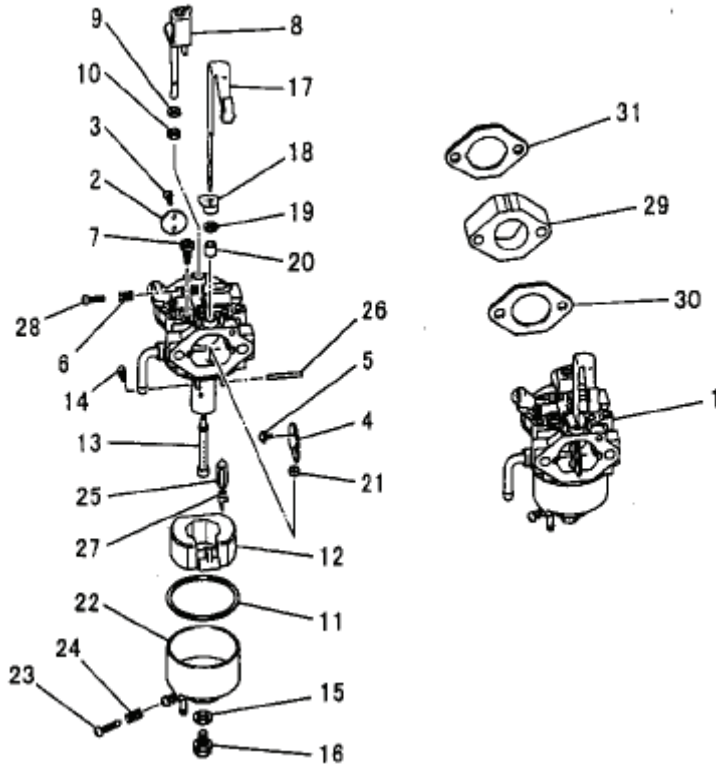
## I. CARBURETOR GROUP



Number	Part Number	Parts Name	Number Required	Remarks
13	KK74524BB031	Nozzle, Main	1	
14	KK74525CC000	Jet, Main	1	
15	KK15003AE018	Packing	1	
16	KK15003AE019	Bolt	1	
17	KK15012AB020	Lever, Choke	1	
18	KK12008AE018	Ring	1	
19	KK12008AE019	Seal	1	
20	KK12008AE020	Ring	1	
21	KK15003AE024	Ring	1	
22	KK15005DA025	Chamber, Float	1	Incl. No. 23, 24
23	KK15001AA018	Screw	1	
24	FA27080XX003	Spring	1	

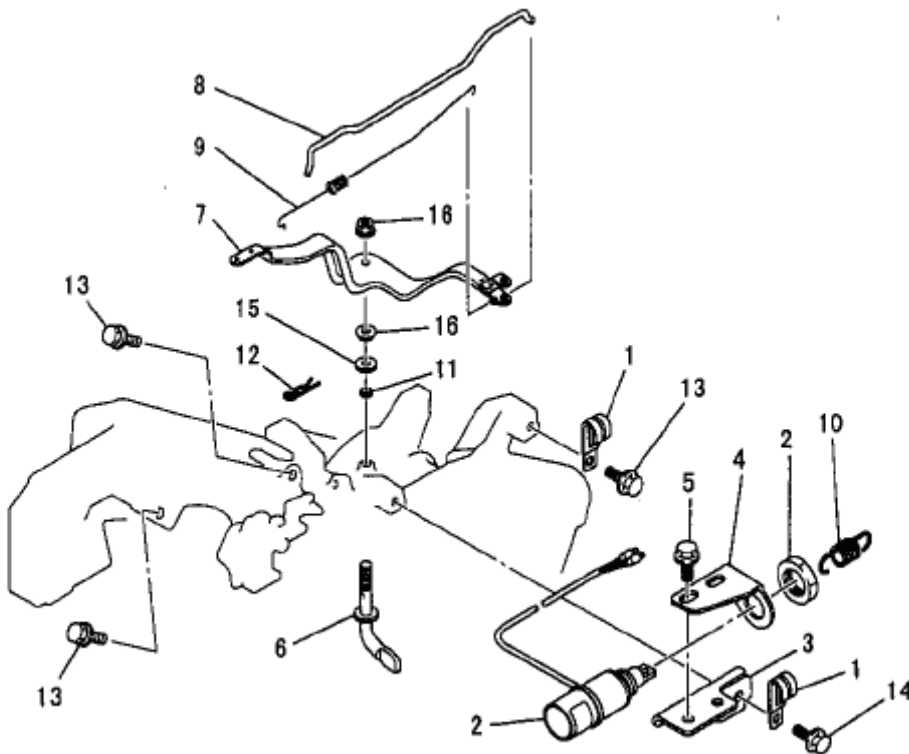


## I. CARBURETOR GROUP



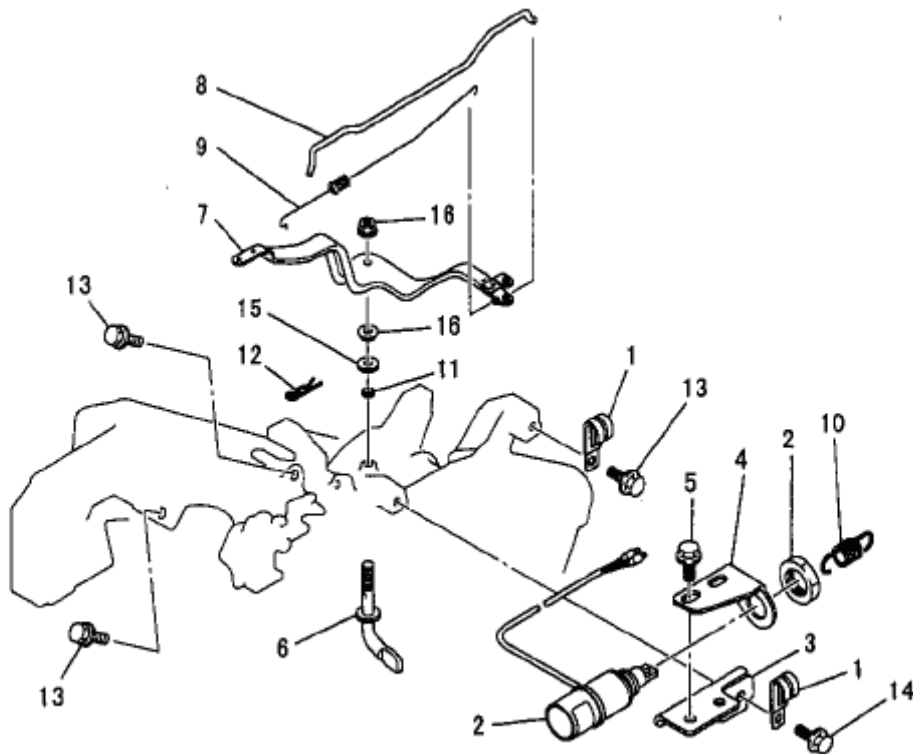
Number	Part Number	Parts Name	Number Required	Remarks
25	KK15003AE026	Valve, Needle	1	
26	KK15003AE027	Pin	1	
27	KK12008AE011	Clip	1	
28	KK12008AE009	Screw	1	
29	KK33007AA	Insulator	1	
30	KW34001AA	Gasket, Carburetor	1	
31	KW34005AA	Gasket, Carburetor	1	

## J. CONTROL PANEL GROUP



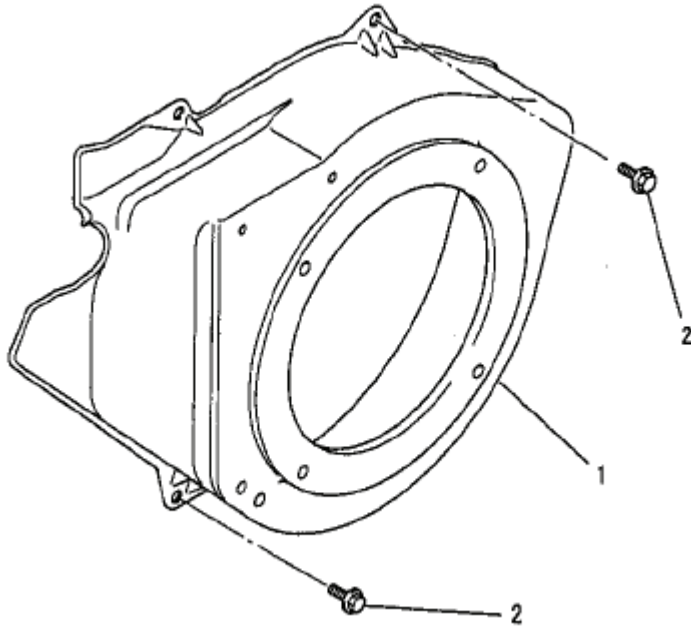
Number	Part Number	Parts Name	Number Required	Remarks
1	FR64917A	Clamp	2	
2	KE09025CA	Solenoid	1	
3	KE90166AA	Plate	1	
4	KE90167BA	Plate	1	
5	B800A06X012	Bolt, Flange	2	
6	KG22006AA	Shaft, Gov	1	
7	KG31014BA	Lever, Gov	1	
8	KG41015AA	Rod, Gov	1	
9	KG42011AA	Spring, Rod	1	
10	KG42015BA	Spring	1	
11	KG90016AA	Seal, Dust	1	
12	KU70006AA	Clip	1	

## J. CONTROL PANEL GROUP



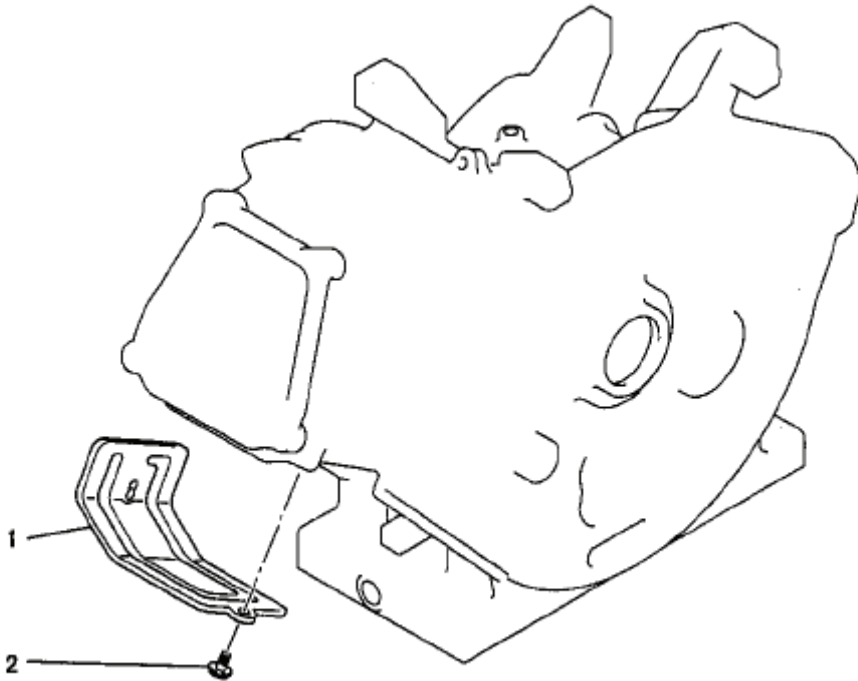
Number	Part Number	Parts Name	Number Required	Remarks
13	B805B06X012	Bolt, Flange	3	
14	B805B06X016	Bolt, Flange	1	
15	KG90015AA	Washer	1	
16	KU24002AA	Nut	2	

## K. FAN COVER GROUP



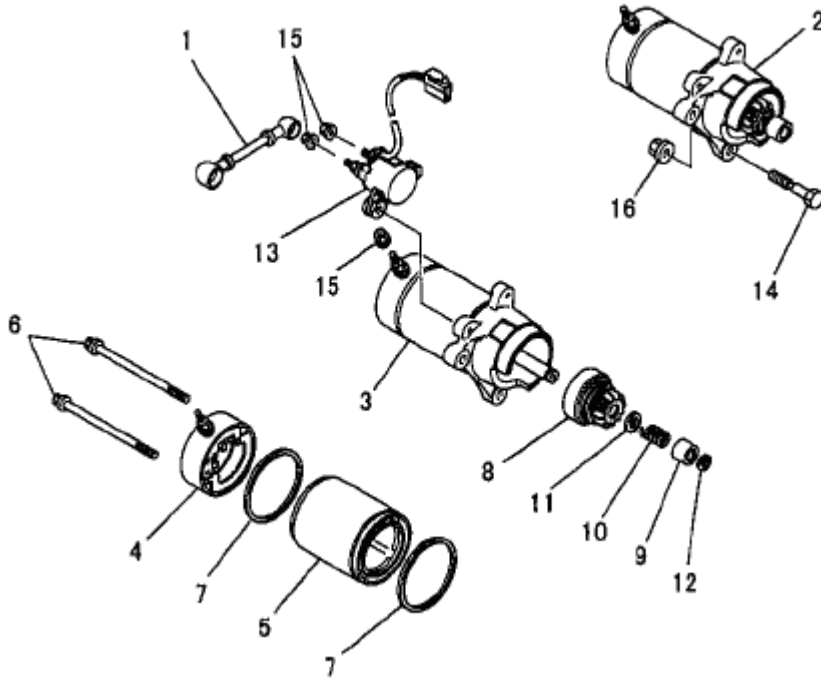
Number	Part Number	Parts Name	Number Required	Remarks
1	KH28005JA	Cover, Fan	1	
2	B805B06X012	Bolt, Flange	4	

## L. CYLINDER COVER GROUP



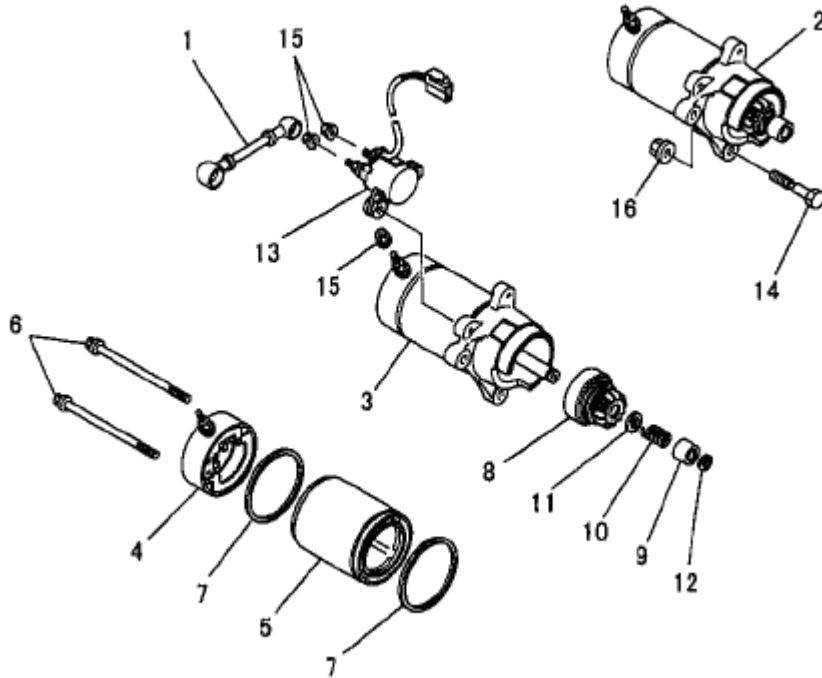
Number	Part Number	Parts Name	Number Required	Remarks
1	KH40020AA	Cover, Cylinder	1	
2	B805B06X012	Bolt, Flange	2	

## Q. CELL GROUP



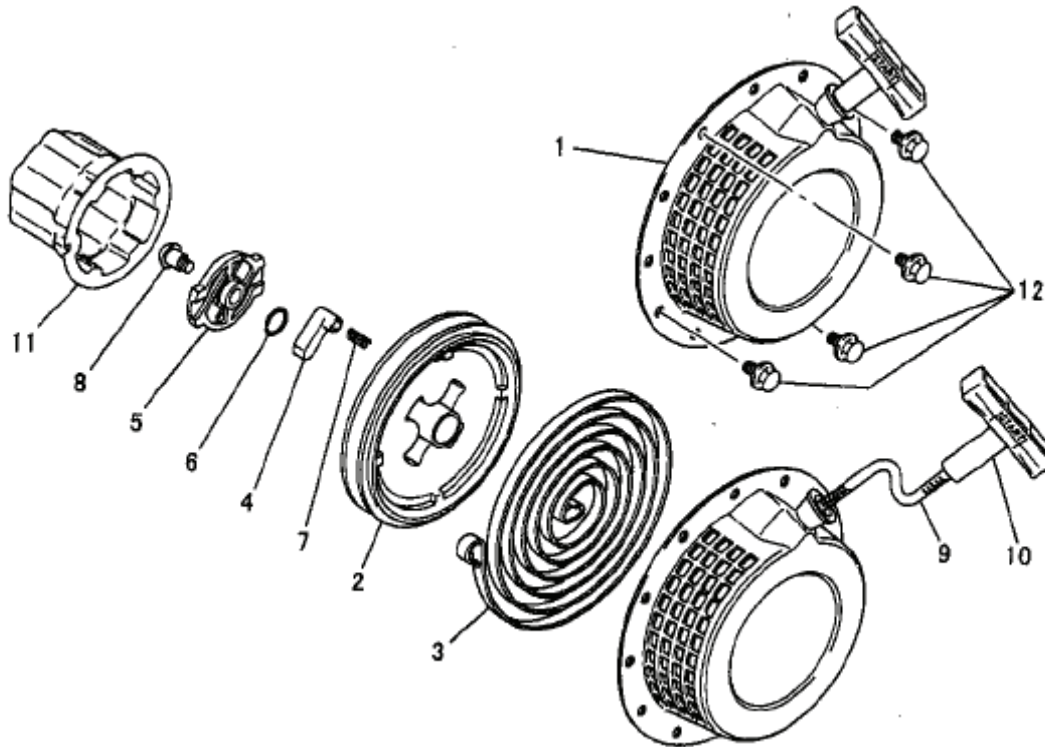
Number	Part Number	Parts Name	Number Required	Remarks
1	KE90170AA	Wire, Lead	1	
2	KS11003AA101	Motor, Starting	1	Incl. No. 3-12
3	KS11003AA102	Motor, Starting	1	Incl. No. 4-7
4	KS11001AA104	Bracket	1	
5	KS11003AA105	Case, Starter	1	
6	KS11001AA106	Bolt	2	
7	KS11001AA107	Ring	2	
8	KS11003AA003	Gear	1	
9	KS11001AA108	Stopper	1	
10	KS11001AA109	Spring, Return	1	
11	KS11001AA110	Washer	1	
12	KS11001AA111	Ring	1	

## Q. CELL GROUP



Number	Part Number	Parts Name	Number Required	Remarks
13	KS11012AA022	Starter Relay Assy.	1	
14	FA28198	Bolt, Reamer	2	
15	N801A06	Nut, Flange	4	
16	N801A08	Nut, Flange	2	

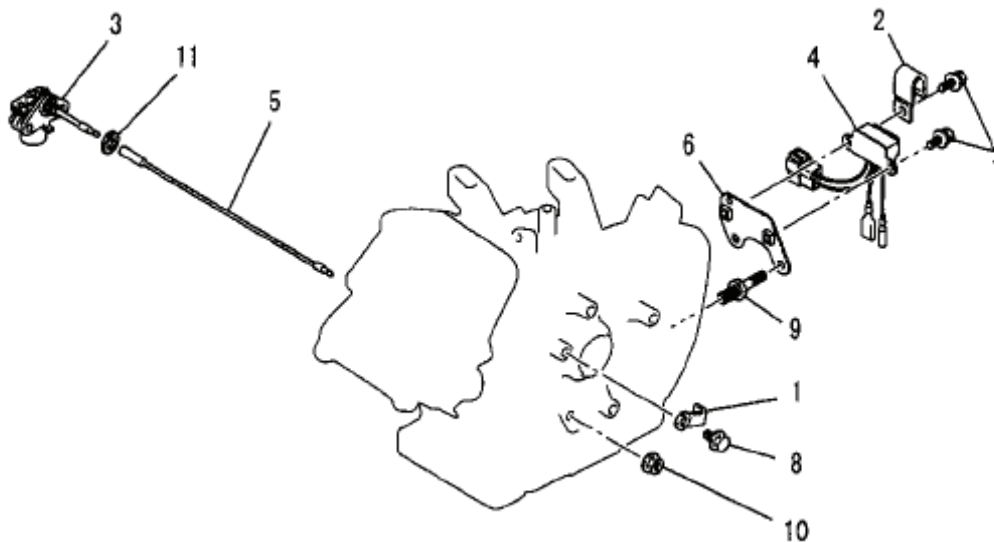
## R. RECOIL STARTER GROUP



Number	Part Number	Parts Name	Number Required	Remarks
1	KS02039AD	Recoil Starter Assy.	1	Incl. No. 2-11
2	KS20060AD002	Reel	1	
3	KS20060AD003	Spring, Spiral	1	
4	KS20060AD004	Ratchet	2	
5	KS20061AD005	Guide	1	
6	KS20060AD006	Spring, Friction	1	
7	KS20020AD007	Spring, Return	2	
8	KS20020AD008	Screw	1	
9	KS20035AD013	Rope, Starter	1	
10	KS20060AD014	Knob, Starter	1	
11	KS30020AA	Pulley, Starter	1	
12	B800A06X008	Bolt, Flange	4	

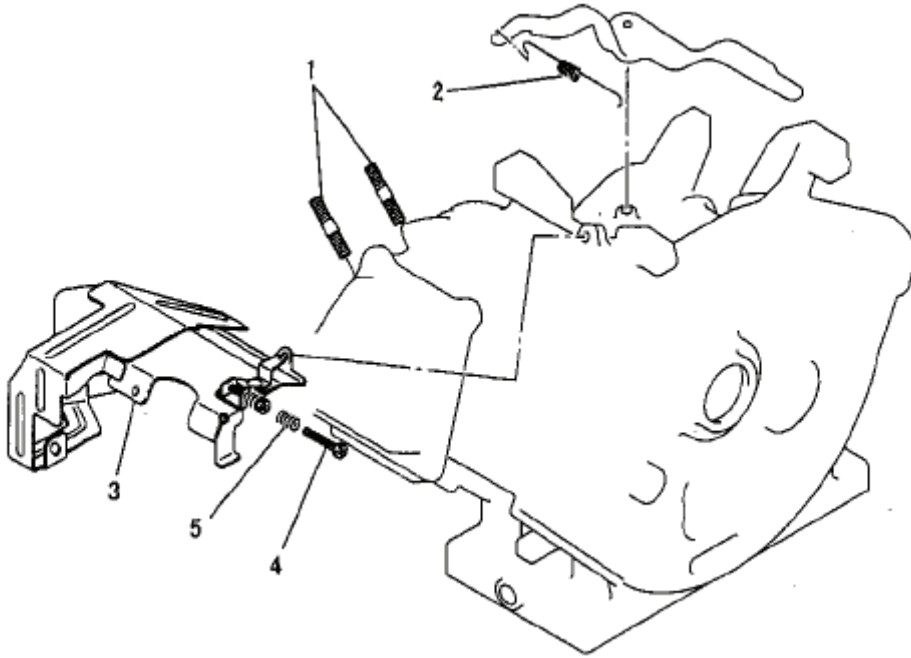


## W. OIL SENSOR GROUP



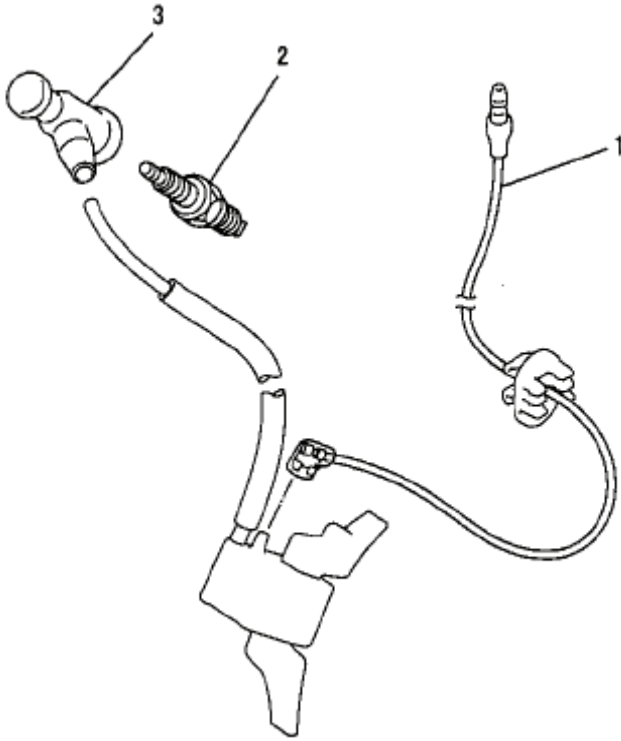
Number	Part Number	Parts Name	Number Required	Remarks
1	FA41303	Clamp	1	
2	FR64917	Clamp	1	
3	KE09021AA	Sensor, Oil	1	
4	KE33005BA	Unit, Sensor	1	
5	KE90102BA	Wire, Lead	1	
6	KE90168BA	Bracket, Unit	1	
7	B070A05X010	Bolt and Washer	2	
8	B805B06X012	Bolt, Flange	1	
9	KU14037AA	Bolt	2	
10	ZZ70028C	Nut, Conical Spg	1	
11	KW39066AA	Gasket	1	

## 1. BOLT, CLAMP, COVER ETC.



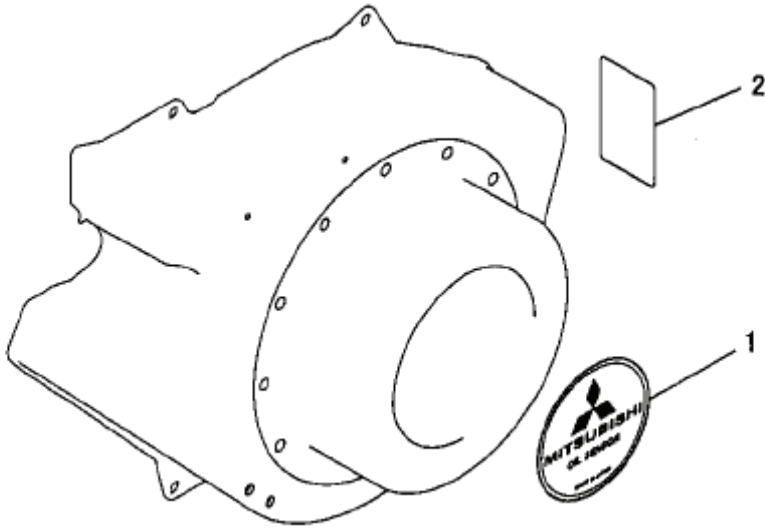
Number	Part Number	Parts Name	Number Required	Remarks
1	B155B08X020	Bolt, Stud	2	
2	KG34017FA	Spring, Gov	1	
3	KH40050AA	Cover, Top	1	Incl. No. 4, 5
4	KU14032AA	Bolt	1	
5	KU80017AA	Spring	1	

## 2. LEAD WIRE, PLUG



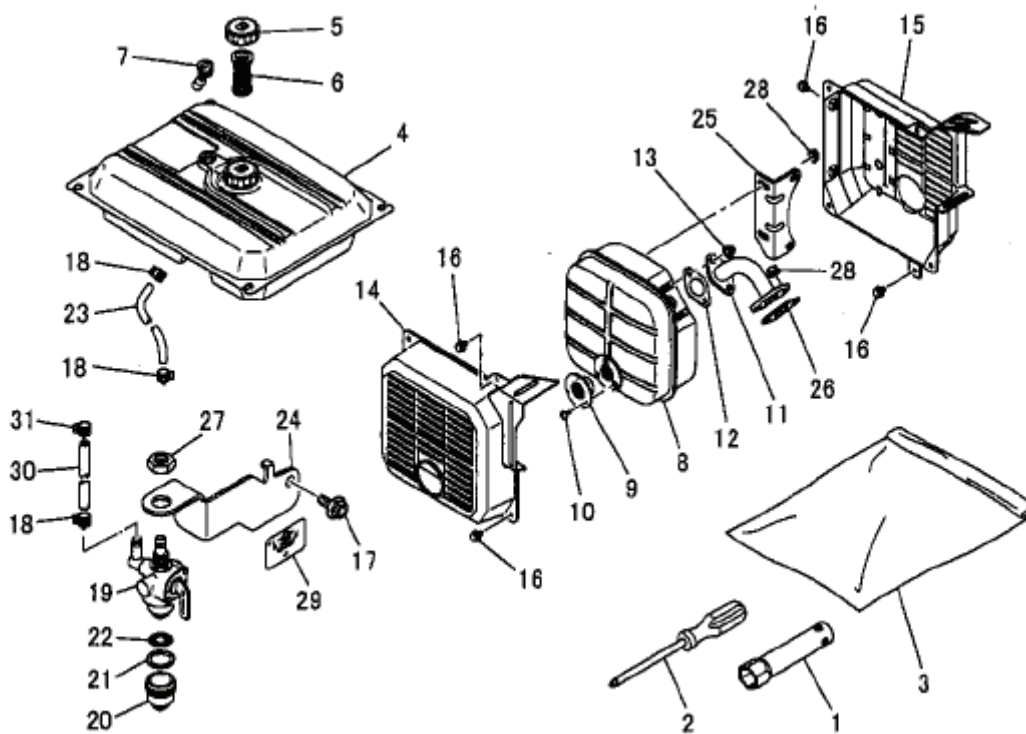
Number	Part Number	Parts Name	Number Required	Remarks
1	KE90101BA	Wire, Lead	1	
2	KE41005AA	Plug, Spark	1	BPR5ES
3	KE42024AA	Cap, Plug	1	

### 3. LABEL, FUEL HOSE



Number	Part Number	Parts Name	Number Required	Remarks
1	KW52185AA	Label, Name	1	
2	KW56198DA	Label	1	

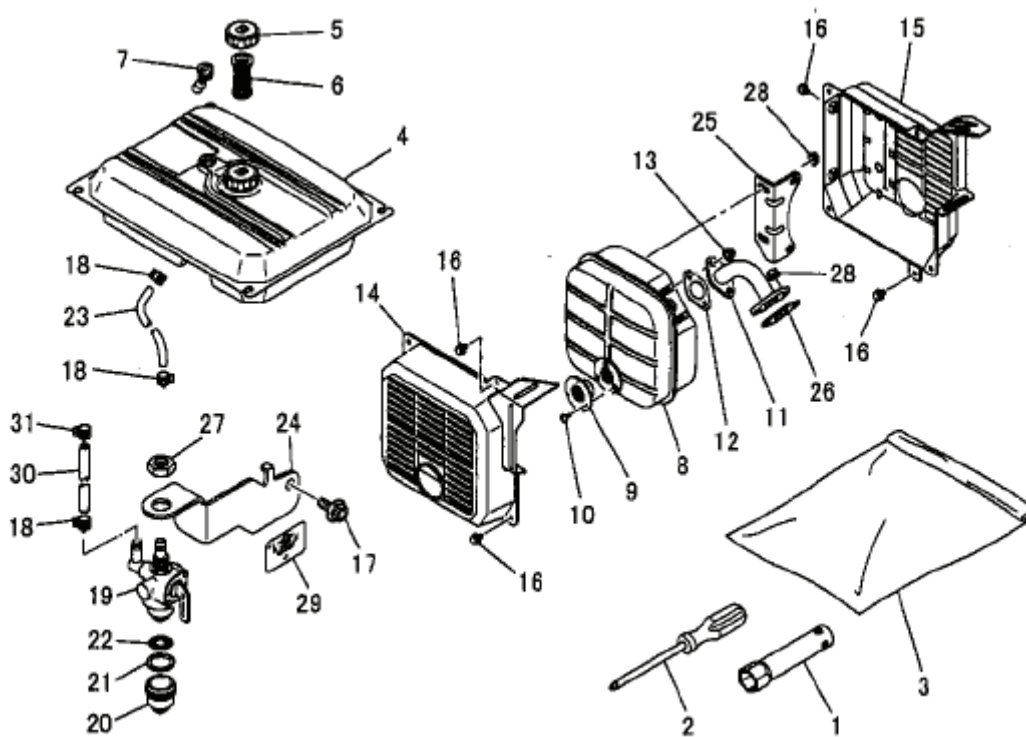
#### 4. TOOL SET ETC.



Number	Part Number	Parts Name	Number Required	Remarks
1	KN12004CA	Spanner, Box	1	
2	KN13001AA	Driver, Screw	1	
3	FA21533D	Bag, Tool	1	
4	KF04093FA	Fuel Tank Assy.	1	Incl. No. 5-7
5	KF05010CA	Tank Cap Assy.	1	
6	KF40003AA	Filter, Fuel	1	
7	KF90080DA	Gauge, Oil	1	
8	KM17024AA	Muffler	1	Incl. No. 9, 10
9	KM17024AA015	Screen	1	
10	W006D04X008K	Screw	3	
11	KM30006AA	Pipe, Exhaust	1	
12	KM70032AB	Gasket, Muffler	1	

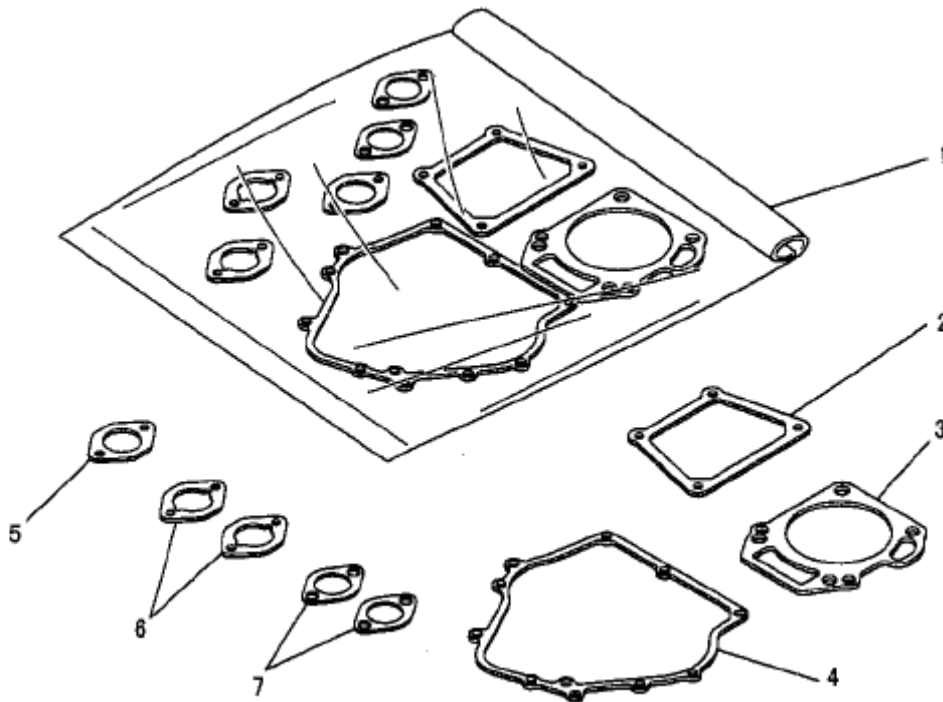


#### 4. TOOL SET ETC.



Number	Part Number	Parts Name	Number Required	Remarks
25	KM60014AA	Bracket, Muffler	1	
26	KM70032AB	Gasket, Muffler	1	
27	N012A10	Nut, J	1	
28	ZZ70028C	Nut, Conical Spg	4	
29	KW56266AA	Label	1	
30	KF90230AA160	Hose, Fuel	1	
31	FR67419B	Clip	1	

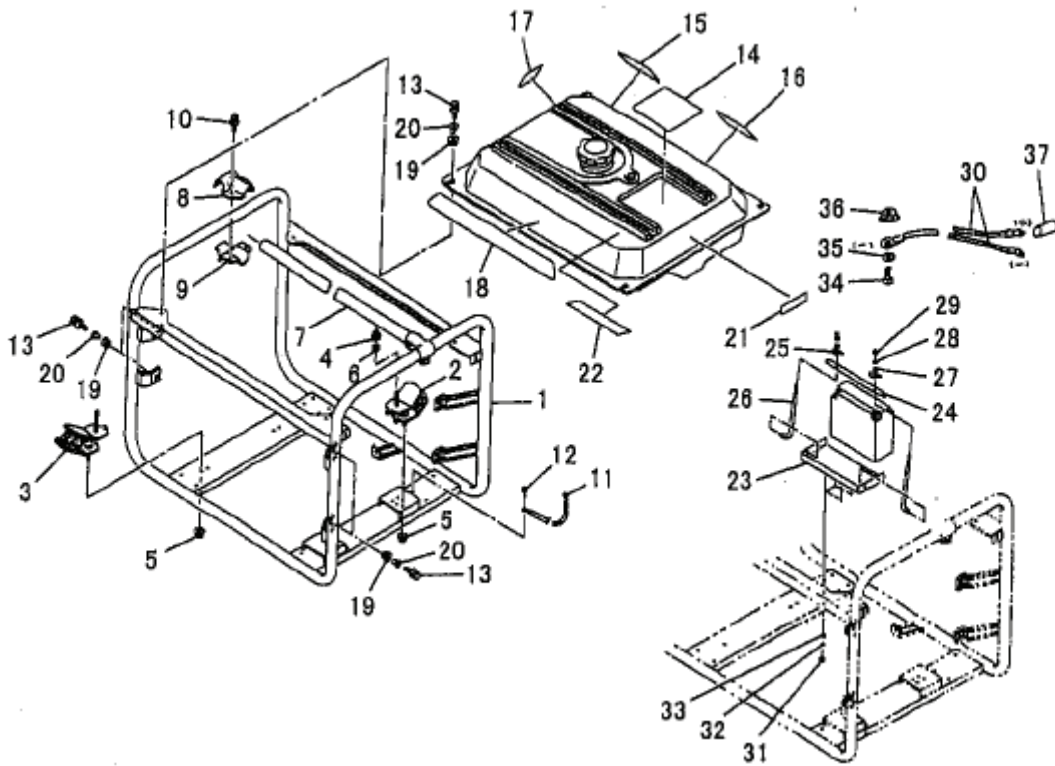
## 5. GASKET SET



Number	Part Number	Parts Name	Number Required	Remarks
1	KW39058DA	Gasket Set	1	Incl. No. 2-7
2	KW33002AA	Gasket, Head Cover	1	
3	KC66009AA	Gasket, Head	1	
4	KW31007AA	Gasket, Crankcase	1	
5	KW34001AA	Gasket, Carburetor	1	
6	KW34005AA	Gasket, Carburetor	2	
7	KM70032AB	Gasket, Muffler	2	

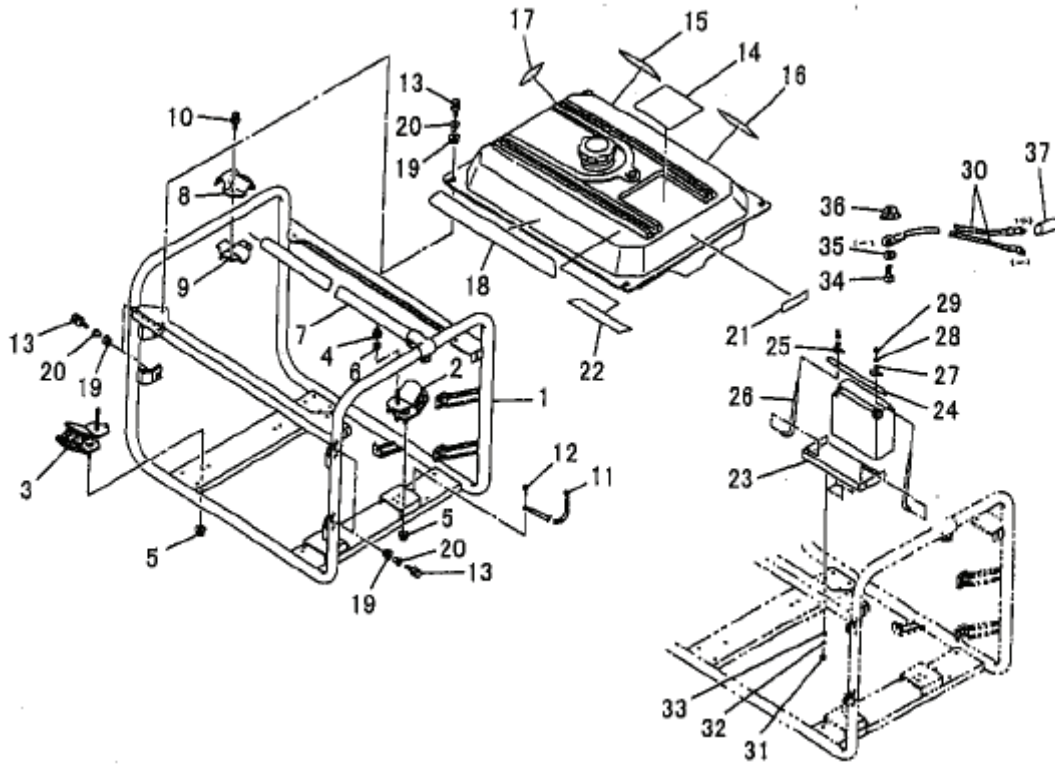


## 6. FRAME AND TANK



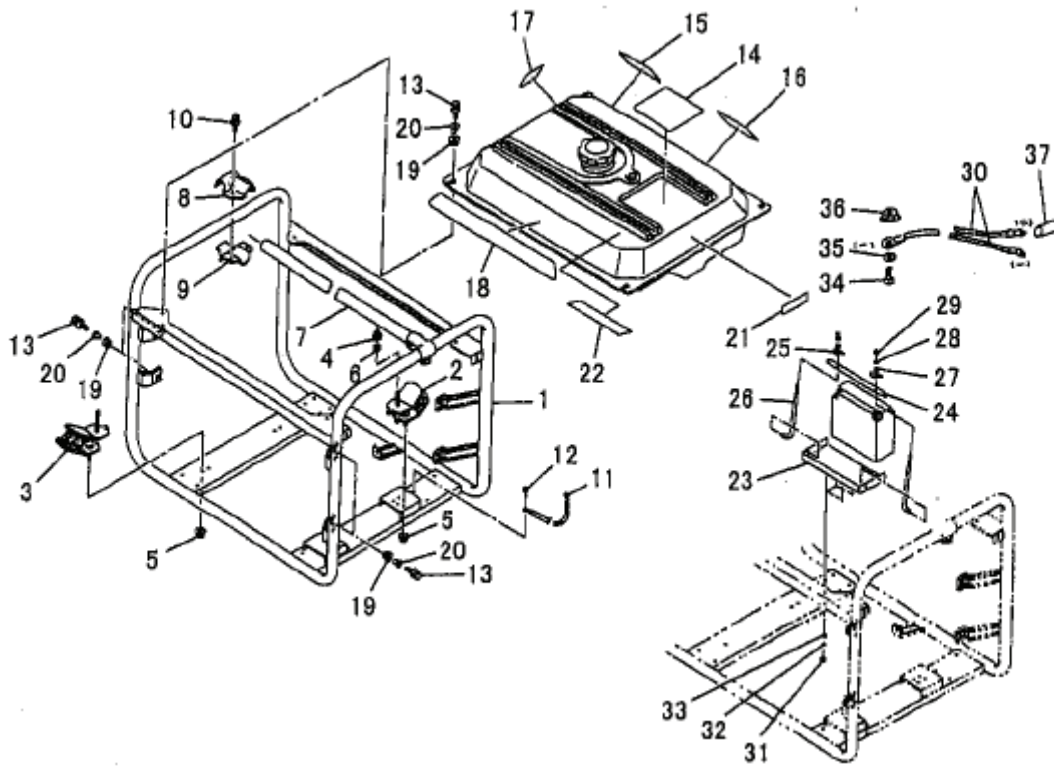
Number	Part Number	Parts Name	Number Required	Remarks
1	KYF011005220	MG Pipe Frame UN	1	
2	KYG060000842	MG Rubber Mount UN	2	
3	KYG060000871	MG Rubber Mount UN	2	
4	KY0022010000	Nut, Flange	4	
5	KY0022008000	Nut, Flange	4	
6	KY0030010000	Washer	1	
7	KYF272000021	MG Frame, Pipe	2	
8	KYF052000020	Clamp	4	
9	KYF052000030	Clamp	4	
10	KY0013006020	MG Bolt	8	
11	KYF070000300	MG Earth Wire	1	
12	KY0011305008	Screw and Washer	1	

## 6. FRAME AND TANK



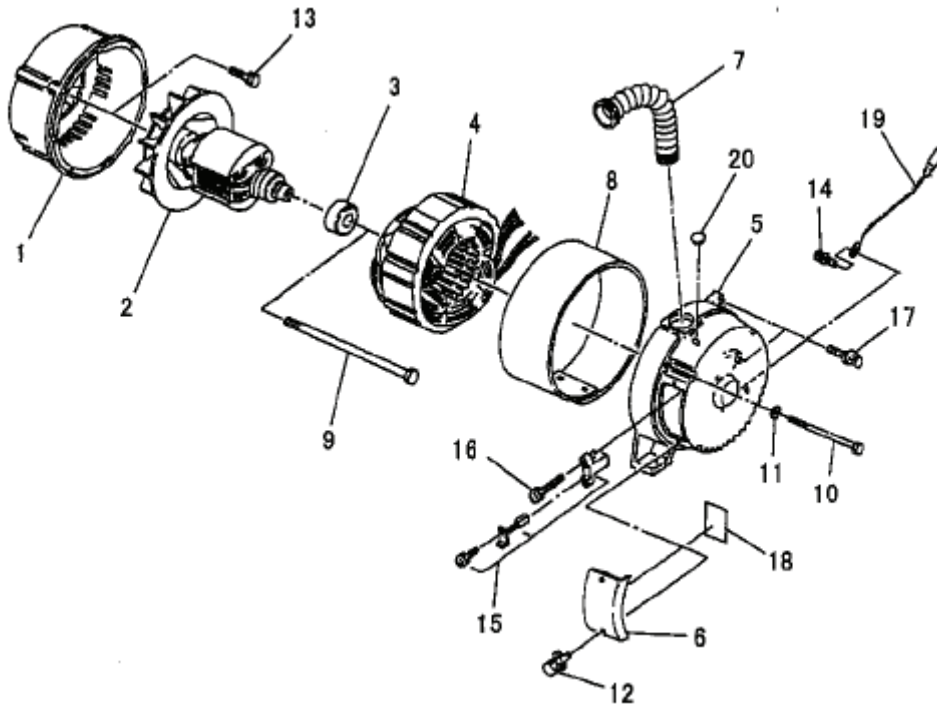
Number	Part Number	Parts Name	Number Required	Remarks
13	KY0012906020	MG Bolt, Flange	8	
14	KYT020002580	MG Label, Caution	1	
15	KYT020002590	MG Label, Caution	1	
16	KYT020002600	MG Label, Caution	1	
17	KYC081000450	Label	1	
18	KYC011400860	Label	1	
19	KU50018AA	Bush	8	
20	KU50019AA	Spacer	8	
21	KYB12M200130	MG Label, Spec	1	
22	KYT020002610	MG Label, GFCI	1	
23	KYF080000270	MG Bracket	1	
24	KYF090000100	Retainer	1	

## 6. FRAME AND TANK



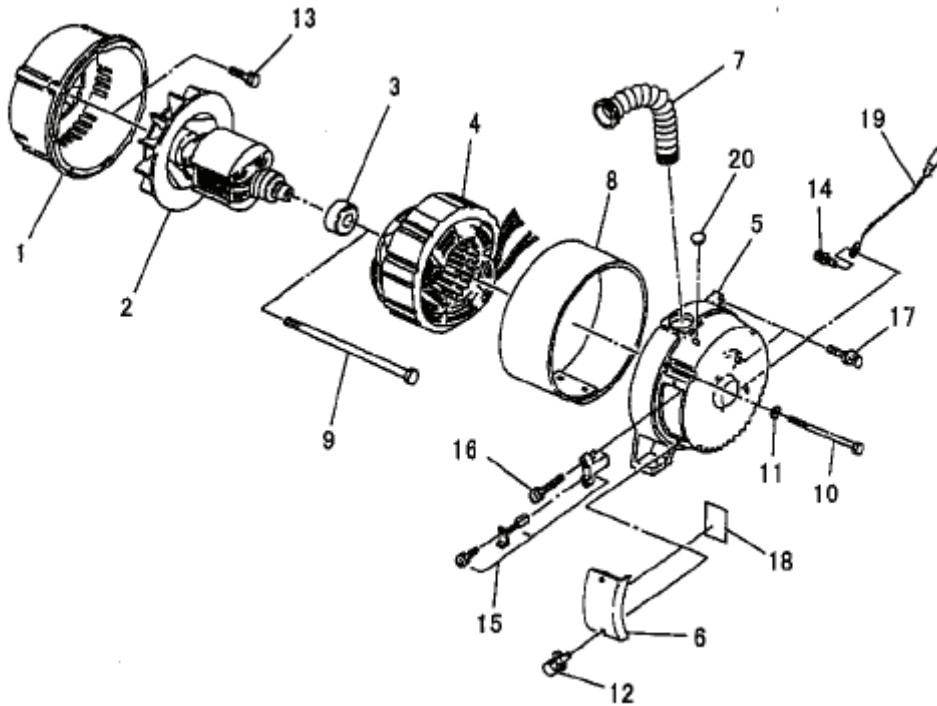
Number	Part Number	Parts Name	Number Required	Remarks
25	KYF091000031	MG Spacer	2	
26	KYF100000011	MG Bolt	2	
27	KY0030006000	Washer	2	
28	KY0030306000	Washer, Spg	2	
29	KY0020006000	MG Nut	2	
30	KYB040000470	MG Cord, Battery	1	Incl. No. 37
31	KY0010508015	MG Bolt	4	
32	KY0030308000	Washer, Spg	4	
33	KY0030008000	Washer	4	
34	KY0010508030	Bolt	1	
35	KY0030008000	Washer	1	
36	KY0022008000	Nut, Flange	1	
37	KY0690000010	MG Cap	1	

## 7. GENERATOR



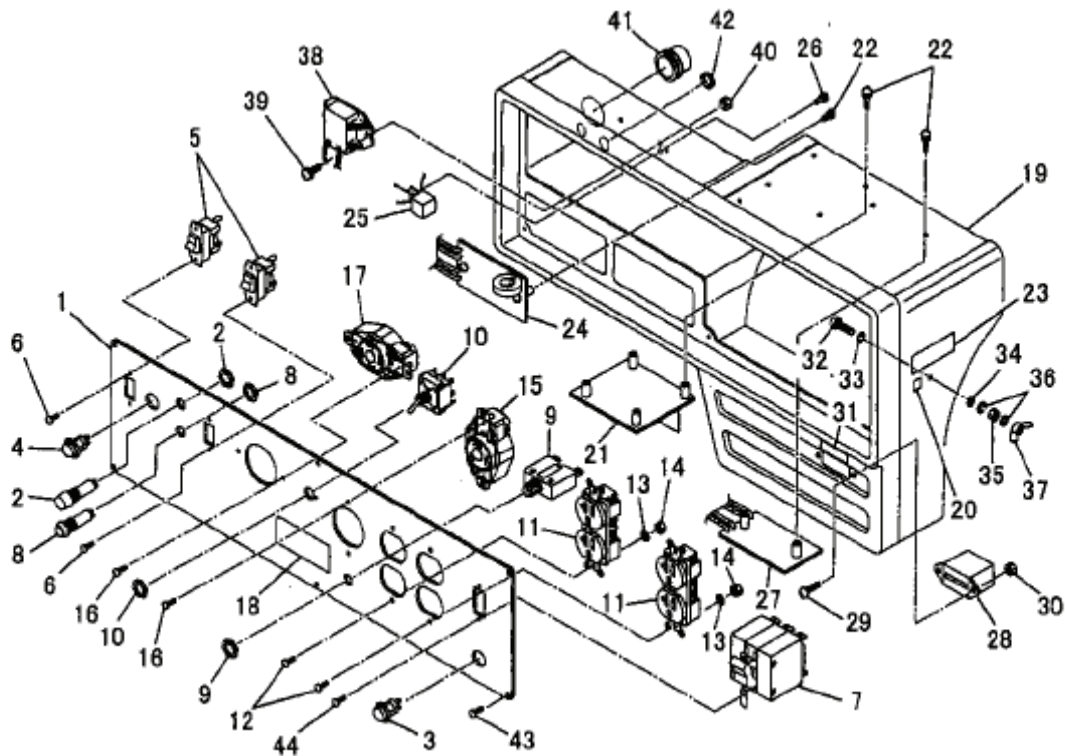
Number	Part Number	Parts Name	Number Required	Remarks
1	KYG010000062	MG Bracket, Front	1	
2	KYG020001792	MG Rotor	1	
3	KY0006205DDU	Bearing, Ball	1	
4	KYG040006810	MG Stator CP	1	
5	KYG080001231	MG Rear Cover	1	
6	KYG110000020	MG Brush Cover	1	
7	KYG070000270	MG Bushing	1	
8	KYG120001321	Cover	1	
9	KY0013510240	Bolt	1	
10	KY0013508150	Bolt	4	
11	KY0030308000	Washer, SPG	4	
12	KY0013705012	Bolt and Washer	2	

## 7. GENERATOR



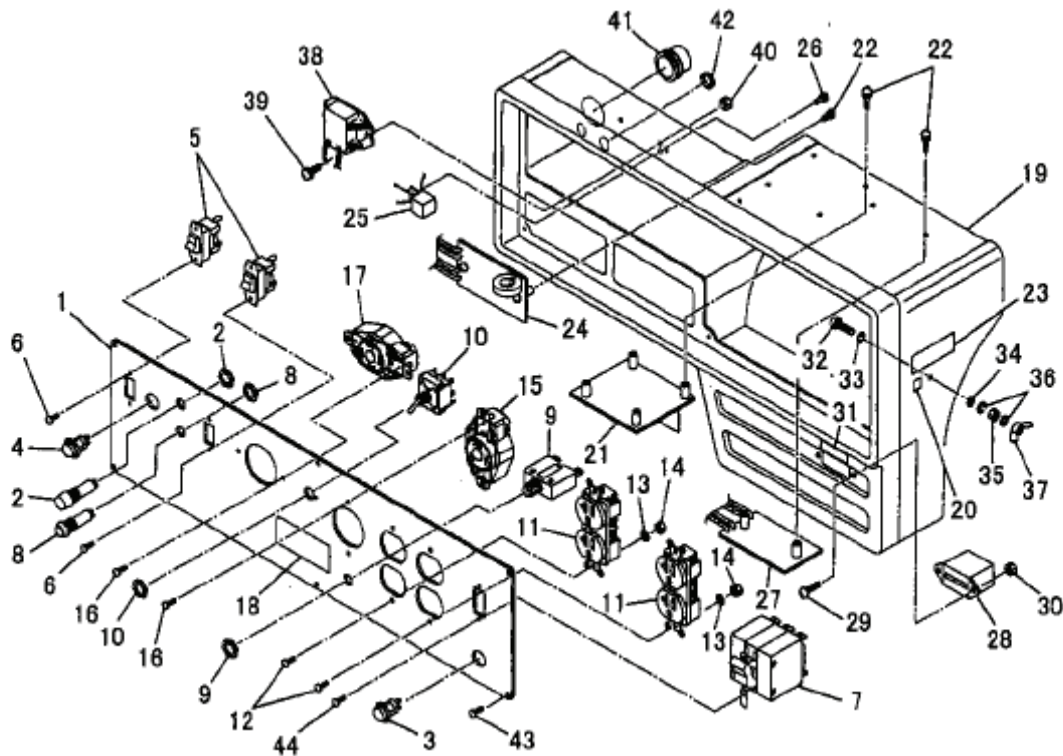
Number	Part Number	Parts Name	Number Required	Remarks
13	KY0013708020	MG bolt	4	
14	KY0011204006	Screw and Washer	1	
15	KYG100000031	MG Brush Holder	1	
16	KY0011205020	MG Screw	2	
17	KY0013708020	MG Bolt	2	
18	KYC011900290	MG Label	1	
19	KYC190000690	MG Earth Wire	1	
20	KYC180000140	MG Grommet	1	

## 8. CONTROL BOX



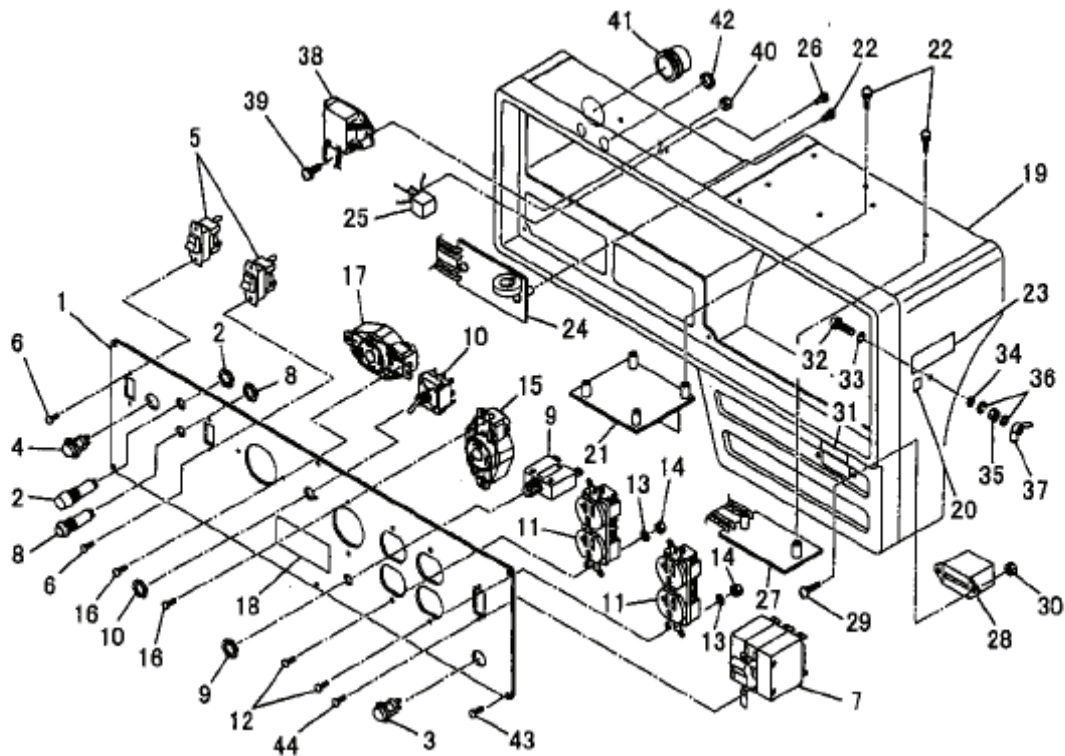
Number	Part Number	Parts Name	Number Required	Remarks
1	KYC011018950	MG Print, Panel	1	
2	KY01400110G0	MG Lamp, Pilot	1	
3	KY0131449003	MG Switch, Push	1	
4	KY0131450003	MG Push SW	1	
5	KY0130757105	Switch	2	
6	KY0013303005	MG Screw	4	
7	KY0081259018	MG Breaker	1	
8	KY035100009R	MG LED CP	1	
9	KY16068CA	MG Protector	1	
10	KY0130312025	Switch	1	
11	KY16073AA	MG Concent	2	
12	KY0013304010	Screw and Washer	4	

## 8. CONTROL BOX



Number	Part Number	Parts Name	Number Required	Remarks
13	KY0030004000	MG Washer	4	
14	KY0020004000	MG Nut	4	
15	KY0065605130	MG Receptacle	1	
16	KY0013130510	Screw	4	
17	KY0065906330	MG Receptacle	1	
18	KYT020002620	MG Label, FPSW	1	
19	KY90074FA	Panel, Control	1	
20	KYC011700081	MG Label, Earth Mark	1	
21	KYC031002283	MG AVR UN	1	
22	KY0011204006	Screw and Washer	6	
23	KYC011900180	MG Label	1	
24	KYC150000211	MG Idle Control Un	1	

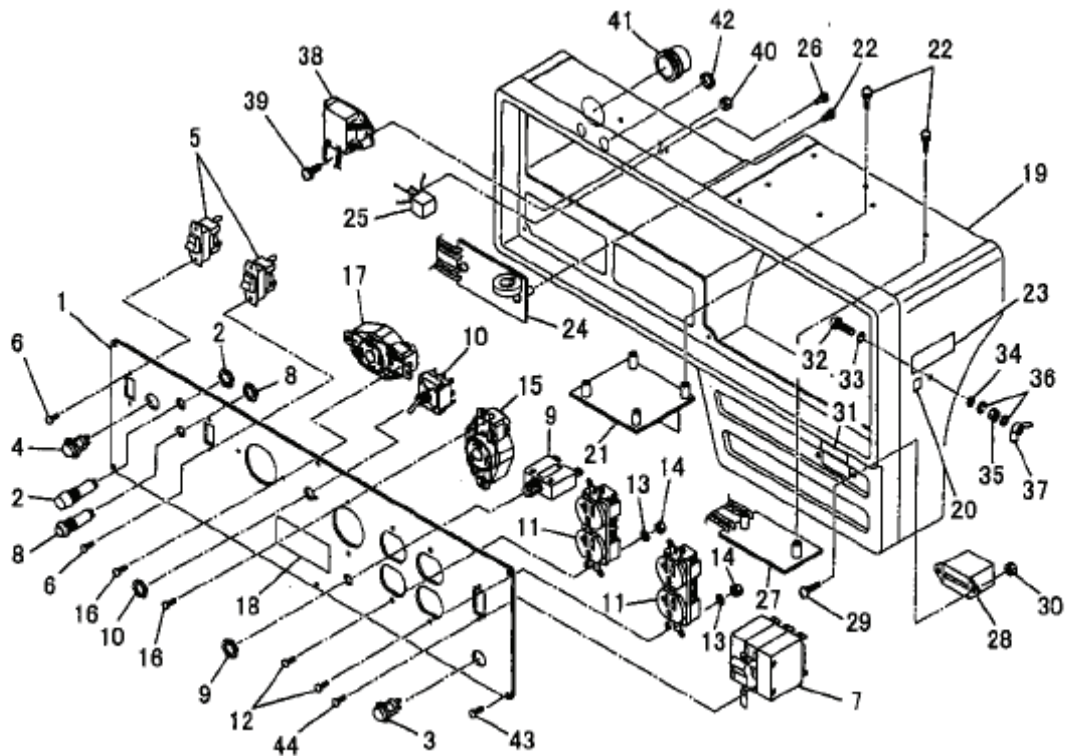
## 8. CONTROL BOX



Number	Part Number	Parts Name	Number Required	Remarks
25	FA28217	Rectifier	1	
26	KY0012906010	MG Bolt, Flange	1	
27	KYC150000240	MG GFCI UN	1	
28	KN60193AA	Provided Parts	1	
29	H071D03X008K	Screw and Washer	2	
30	N001A03	Nut	2	
31	KYC011900900	MG Label, HM	1	
32	KY0010205025	MG Screw	1	
33	KY0031205000	MG Washer, Spg	1	
34	KY0030105000	MG Washer	1	
35	KY0021905000	MG Nut	1	
36	KY0030405000	Washer, Spg	2	



## 8. CONTROL BOX



Number	Part Number	Parts Name	Number Required	Remarks
37	KY0021805000	MG Wing Nut	1	
38	KE60001BA	Rectifier	1	
39	KY0013705015	MG Bolt	2	
40	KY0020005000	MG Nut	2	
41	KYG070000120	MG Bushing	1	
42	KY0321140908	MG Grommet	2	
43	KY0013304010	Screw and Washer	6	
44	KY0013304010	Screw and Washer	2	