

# Water Pump

## Model

**MP050GM-K01**

# Parts Breakdown

## Remarks on Parts Catalog

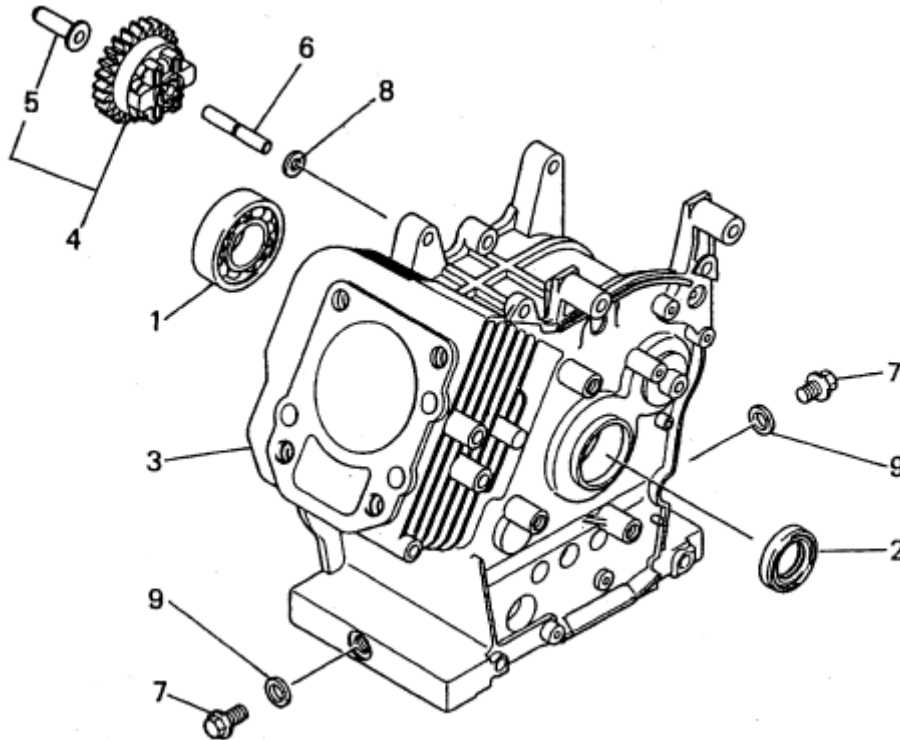
1. This parts catalog contains all parts for the Mitsubishi Water Pump MP050GM-K01
2. The figures in drawings are the index number of the parts.
3. When ordering parts, please clarify the part number(s) and name(s) or engine model name and give to your dealers.
4. Please note that part numbers may be changed periodically without notice.

**Table of Contents****Page**

---

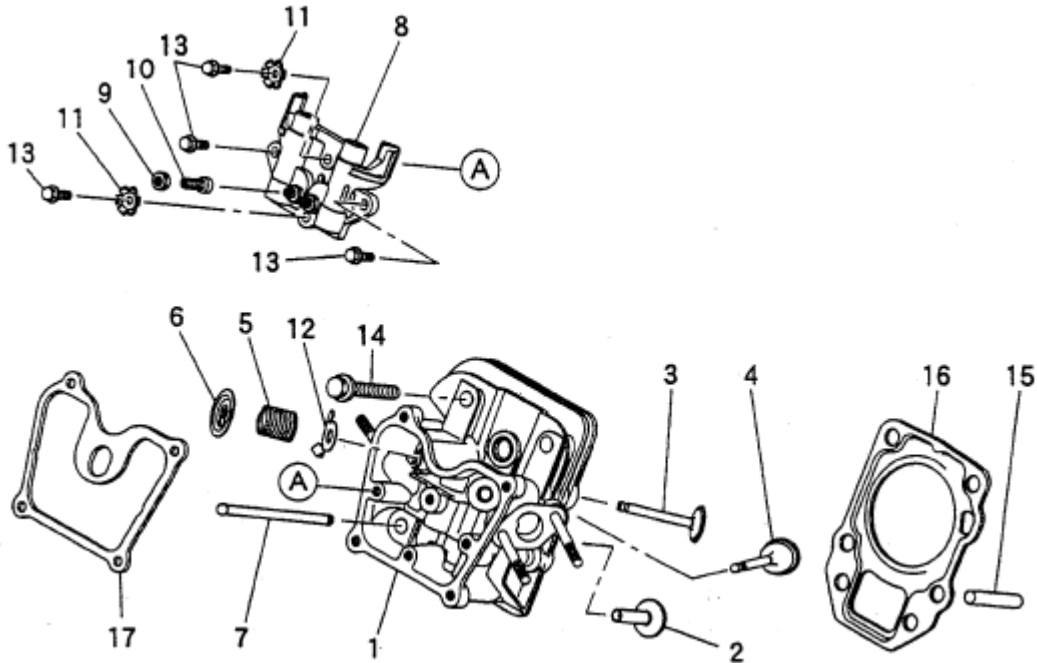
A. Cylinder Block Group	4
B. Cylinder Head Group	5, 6
C. Head Cover Group	7
D. Case Cover Group	8
E. Crankshaft Group	9
F. Piston and Rod Group	10
G. Magneto Group	11
H. Air Cleaner Group	12
I. Carburetor Group	13, 14, 15
J. Conpane Group	16, 17
K. Fan Cover Group	18
M. Tank Group	19
N. Cock Group	20
R. Recoil Starter Group	21
S. Muffler Group	22
X. Cover Group	23
1. Bolt, Spring, Cover	24
2. Lead Wire, Plug, Cap	25
3. Label, Fuel Hose	26
4. Tool Set, Etc.	27
5. Gasket Set	28
6. Pump	29, 30

## A. CYLINDER BLOCK GROUP



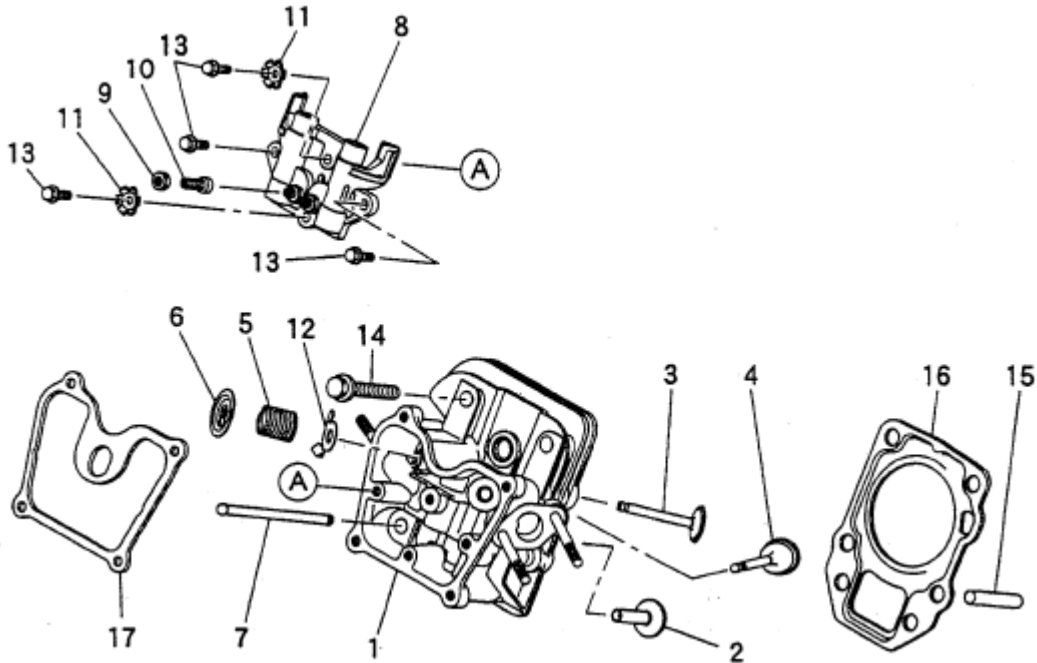
Number	Part Number	Parts Name	Number Required	Remarks
1	FN15746	Bearing, Ball	1	
2	FR41845A	Oil Seal	1	
3	KB43010AA	Cylinder Block	1	
4	KG01003BA	Governor Gear Assy.	1	Incl. No. 5
5	KG14005AA	Slider, Gov	1	
6	KG22004AA	Shaft, Gov	1	
7	KL22003AA	Plug, Drain	2	
8	W200H06	Washer	1	
9	KW39070AA	Gasket	2	

## B. CYLINDER HEAD GROUP



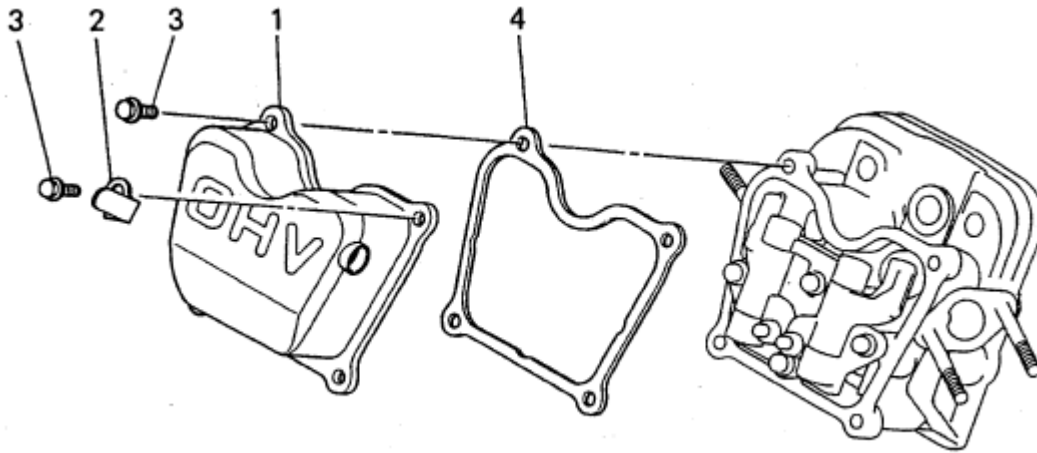
Number	Part Number	Parts Name	Number Required	Remarks
1	KC02043AA	Cylinder Head Assy.	1	With B155B06X075
2	KV24007AA	Tappet	2	
3	KV32002AA	Valve, Exhaust	1	
4	KV33003AA	Valve, Intake	1	
5	KV54002AA	Spring, Valve	2	
6	KV64002AA	Retainer, Valve Spg.	2	
7	KV71012AA	Rod, Push	2	
8	KV02001CA	Rocker Arm Assy.	1	Incl. No. 9-11
9	KU23013AA	Nut	2	
10	KV73004AA	Screw, Adjust	2	
11	KU70015AA	Stopper	2	
12	KV90011AA	Plate	1	

## B. CYLINDER HEAD GROUP



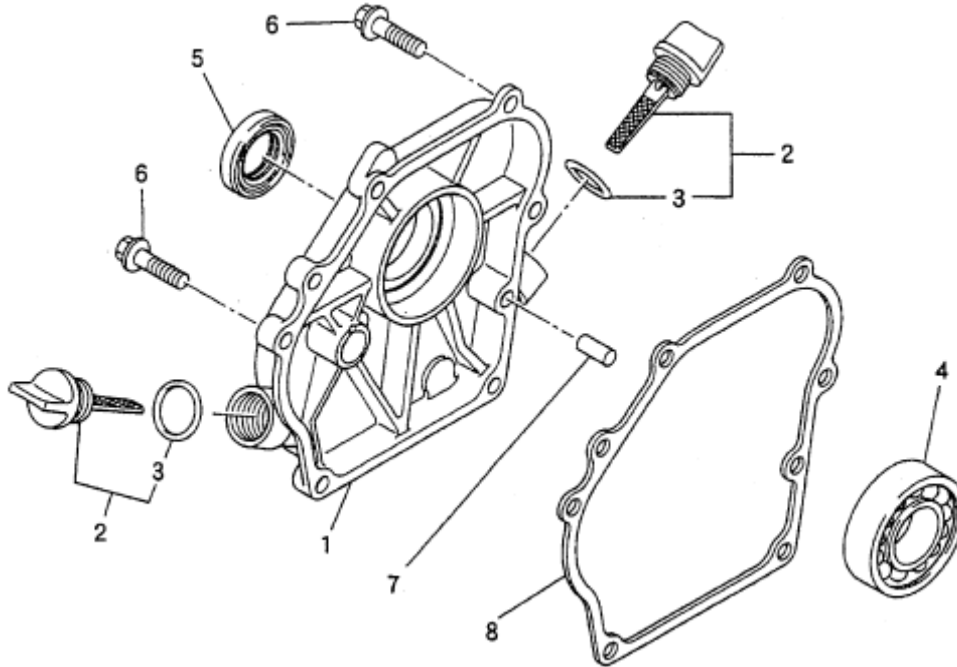
Number	Part Number	Parts Name	Number Required	Remarks
13	B800A06X016	Bolt, Flange	4	
14	B800B08X055	Bolt, Flange	4	
15	KU44001AA	Pin, Dowel	2	
16	KW39080EA	Gasket, Head	1	
17	KW33008AA	Gasket, Head Cover	1	
	KW21018BA	Intake Valve Oil Stem Seal	1	

### C. HEAD COVER GROUP



Number	Part Number	Parts Name	Number Required	Remarks
1	KC09013AA	Cove, Head	1	
2	KC90015AA	Clamp	1	
3	B800A06X012	Bolt, Flange	4	
4	KW33006AA	Gasket, Head Cover	1	

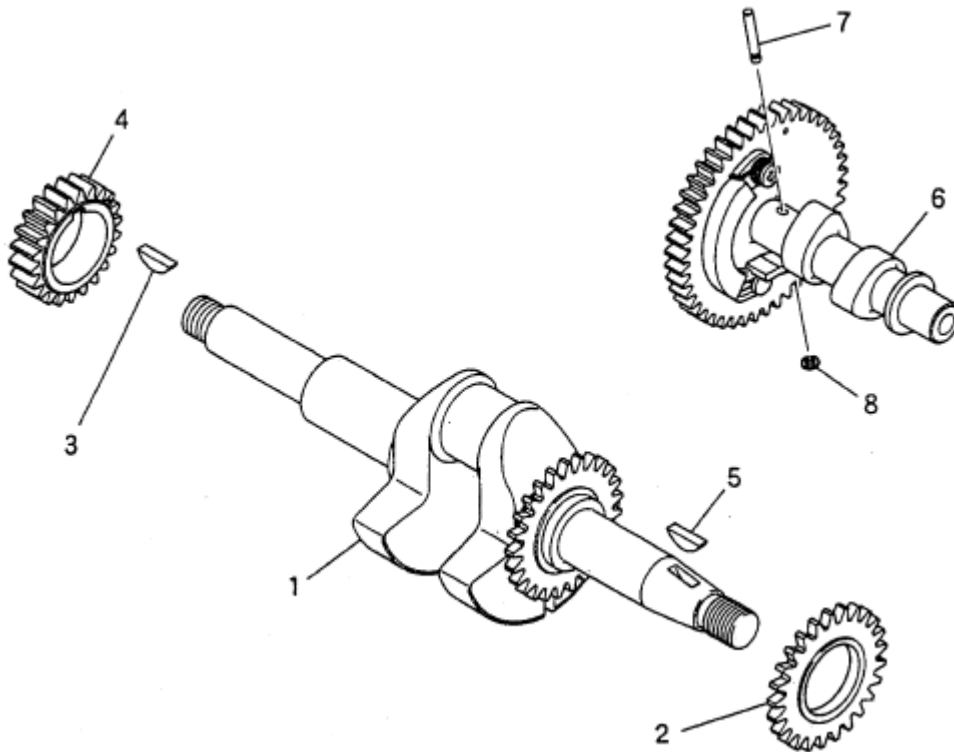
## D. CASE COVER GROUP



Number	Part Number	Parts Name	Number Required	Remarks
1	KB63002AA	Cover, Crankcase	1	
2	KL21006EA	Gauge, Oil	2	Incl. No. 3
3	KW23003AA	O-Ring	2	
4	KW11012AA	Bearing, Ball	1	
5	KW23004AA	Oil Seal	1	
6	B800B08X030	Bolt, Flange	6	
7	KU44001AA	Pin, Dowel	2	
8	KW31014AA	Gasket, Crankcase	1	

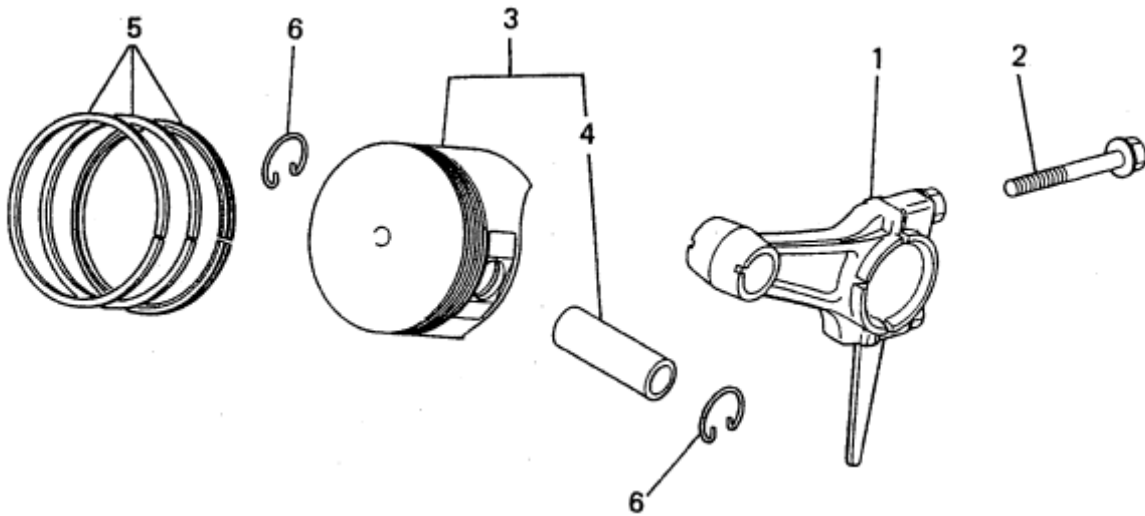


## E. CRANKSHAFT GROUP



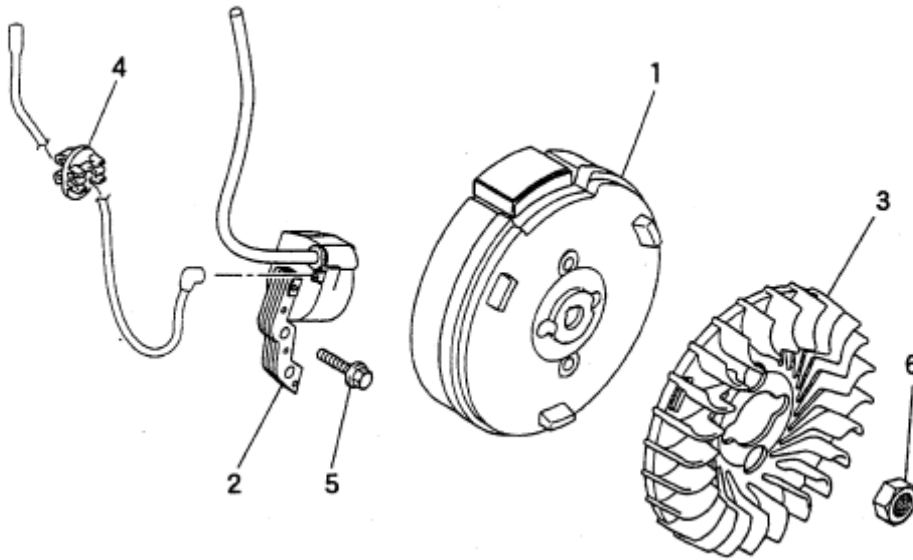
Number	Part Number	Parts Name	Number Required	Remarks
1	KD02040CA	Crankshaft Assy.	1	Incl. No. 2, 3
2	KD63038AA	Gear	1	
3	W430B05X016	Key, Woodruff	1	
4	KD62011AA	Gear, Crankshaft	1	
5	W430B05X016	Key, Woodruff	1	
6	KV01170AA	Camshaft Assy.	1	Incl. No. 7, 8
7	KV83009AC	Pin	1	
8	S500P03	Snap Ring	1	

## F. PISTON AND ROD GROUP



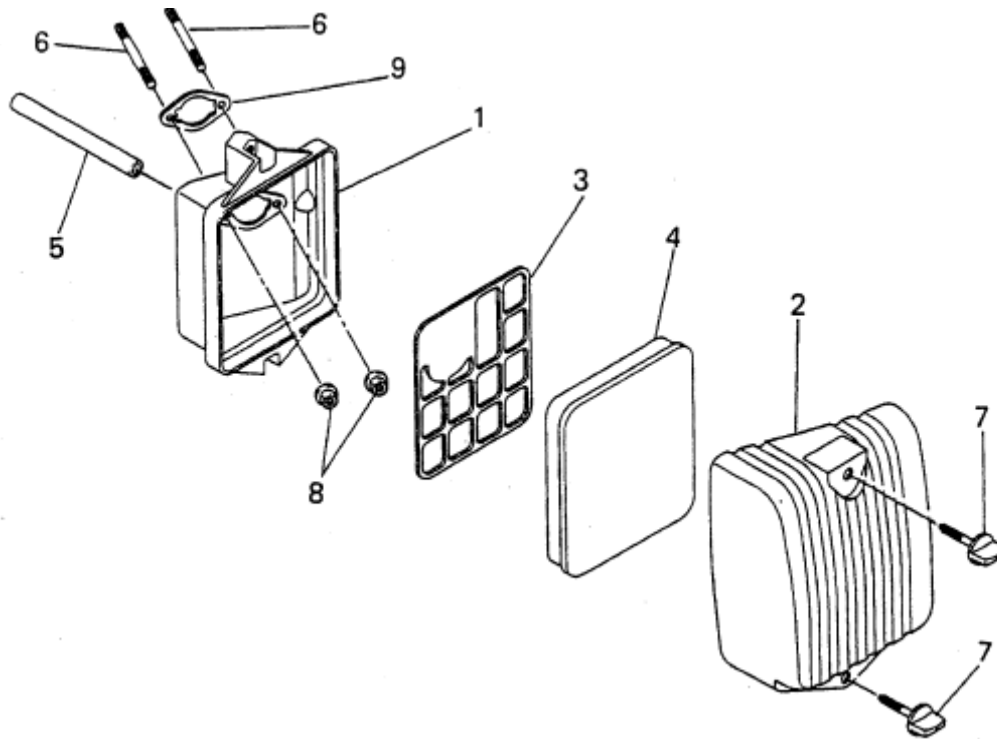
Number	Part Number	Parts Name	Number Required	Remarks
1	KD03015AA	Connecting Rod Assy.	1	Std. Incl. No. 2
1	KD03015BA	Connecting Rod Assy.	1	US 0.25 Incl. No. 2
1	KD03015CA	Connecting Rod Assy.	1	US 0.50 Incl. No. 2
2	B800B06X030	Bolt, Flange	2	
3	KP01041AA	Piston Set	1	Std Incl. No. 4
3	KP01041CA	Piston Set	1	OS 0.25 Incl. No. 4
3	KP01041CA	Piston Set	1	OS 0.50 Incl. No. 4
4	KP55003BA	Pin, Piston	1	
5	KP02008AA	Piston Ring Set	1	Std.
5	KP02008BA	Piston Ring Set	1	OS 0.25
5	KP02008CA	Piston Ring Set	1	OS 0.50
5	KP90002AA	Clip, Piston Pin	2	

## G. MAGNETO GROUP



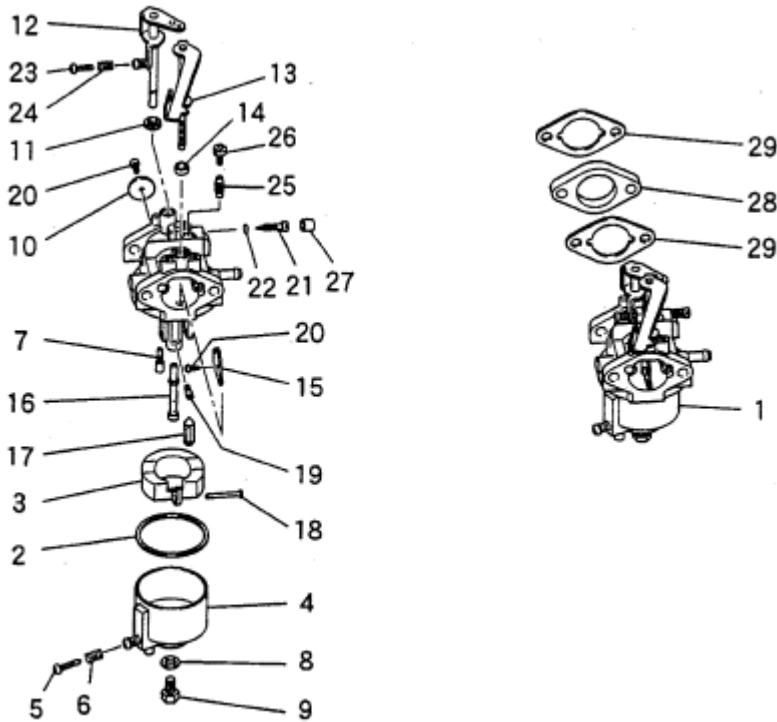
Number	Part Number	Parts Name	Number Required	Remarks
1	KE12025AA	Flywheel	1	
2	KE24016AA	Coil, Ignition	1	
3	KE90201AA	Fan	1	
4	KU70007AA	Clip	1	
5	B805B06X020	Bolt, Flange	2	
6	FR41231	Nut	1	

## H. AIR CLEANER GROUP



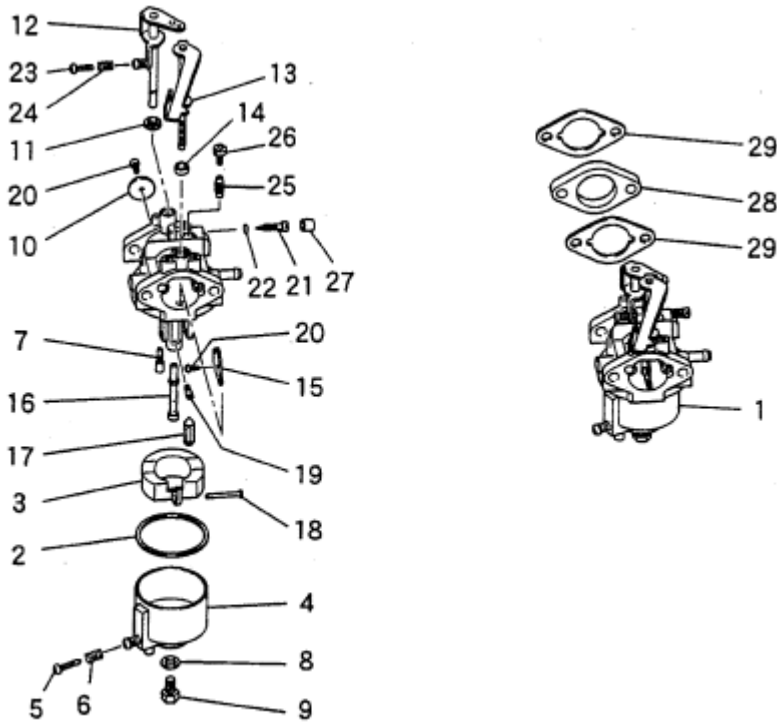
Number	Part Number	Parts Name	Number Required	Remarks
1	KA11022AA	Case, Cleaner	1	
2	KA20054AA	Cover, Cleaner	1	
3	KA30024BA	Grid	1	
4	KA40074AA	Element, Cleaner	1	
5	ZZ70002L	Tube, Breather	1	
6	B155B06X075	Bolt, Stud	2	
7	KA90082AA	Bolt	2	
8	N801A06	Nut, Flange	2	
9	KW34054AA	Gasket, Carburetor	1	

## I. CARBURETOR GROUP



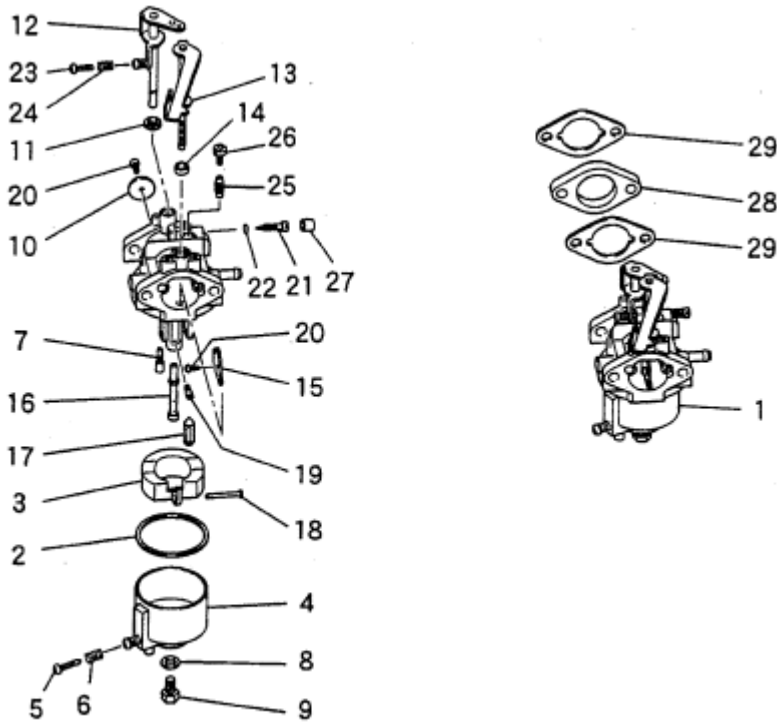
Number	Part Number	Parts Name	Number Required	Remarks
1	KK12032AB	Carburetor (F)	1	Incl. No. 2.-27
2	FC02068XX264	Gasket	1	
3	KK12026AA005	Float	1	
4	KK12029AB004	Chamber, Float	1	Incl. No. 5, 6
5	FC02035XX014	Screw	1	
6	FC02175XX002	Spring	1	
7	KK12026AA024	Plug	1	
8	FC19430XX080	Gasket	1	
9	FC02065XX084	Plug	1	
10	KK12029AA008	Valve, Throttle	1	
11	KK12026AA014	Seal, Dust	1	
12	KK12029AA010	Shaft, Throttle	1	

## I. CARBURETOR GROUP



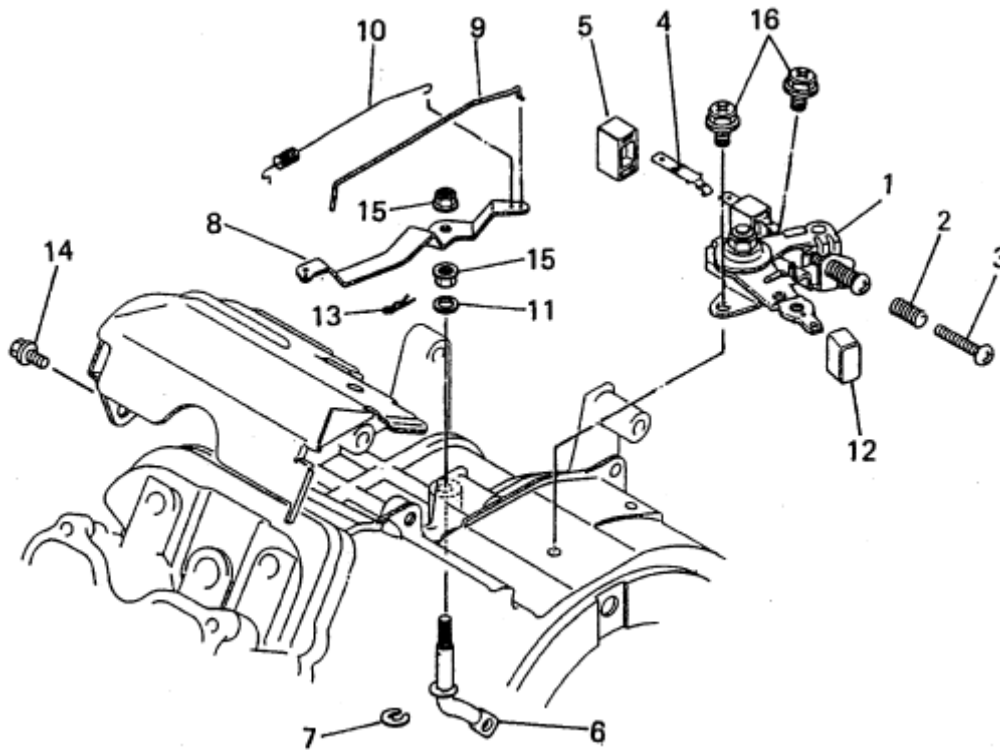
Number	Part Number	Parts Name	Number Required	Remarks
13	KK12029AA011	Lever, Choke	1	
14	KK12026AA022	Cap	1	
15	KK12029AA013	Valve, Choke	1	
16	KK12029AA014	Nozzle, Main	1	
17	FC02057XX051	Valve	1	
18	KK12026AA006	Pin, Float	1	
19	KK74408BA066	Jet, Main	1	
20	KK12026AA017	Screw	2	
21	KK14007AA011	Screw, Adjust	1	
22	FC02084XX077	O-Ring	1	
23	KK12029AA020	Screw	1	
24	KK12029AA021	Spring	1	

## I. CARBURETOR GROUP



Number	Part Number	Parts Name	Number Required	Remarks
25	KK74409BA038	Jet, Slow	1	
26	KK13013AA022	Cap	1	
27	KK14010AX024	Plug	1	
28	KK33005AA	Insulator	1	
29	KW34029AA	Gasket, Carburetor	2	

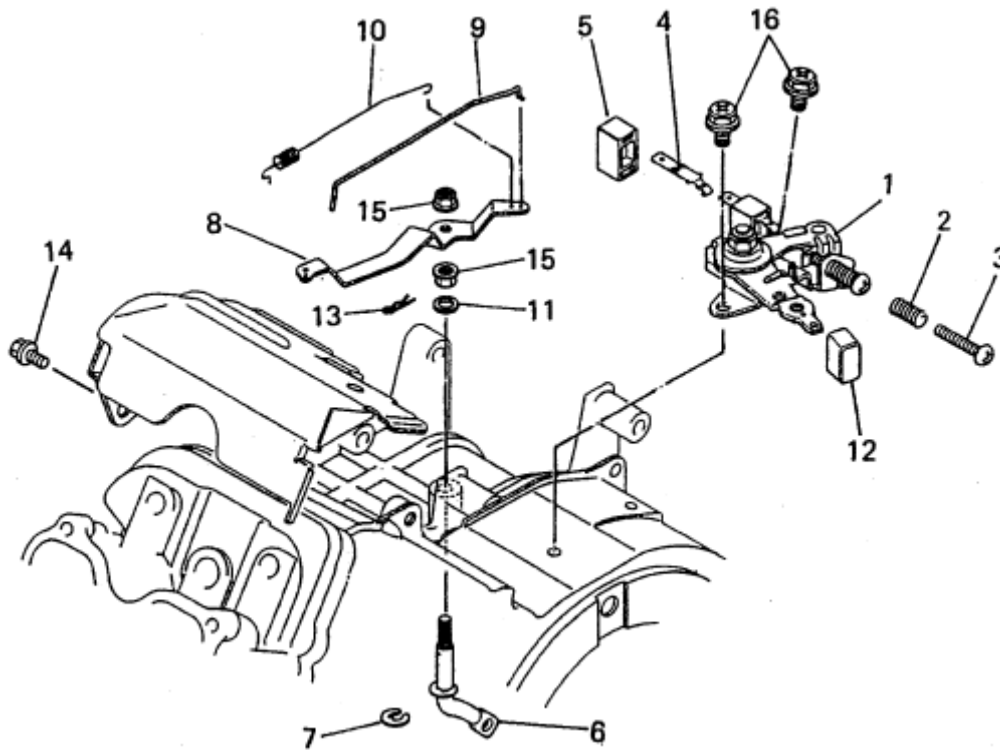
## J. CONPANE GROUP



Number	Part Number	Parts Name	Number Required	Remarks
1	KG03025AA	Panel, Control	1	Incl. No. 2-5
2	KU80015AA	Spring	1	
3	H051D05X025	Screw, Pan-CRS	1	
4	KG90020AA	Terminal	1	
5	KG90021AA	Base	1	
6	KG22011AA	Shaft, Gov.	1	Incl. No. 7
7	S500P07	Snap Ring	1	
8	KG31019AA	Lever, Gov.	1	
9	KG41021AA	Rod, Gov.	1	
10	KG42017AA	Spring, Rod	1	
11	KG90023AA	Washer	1	
12	KG90014AA	Cap	1	

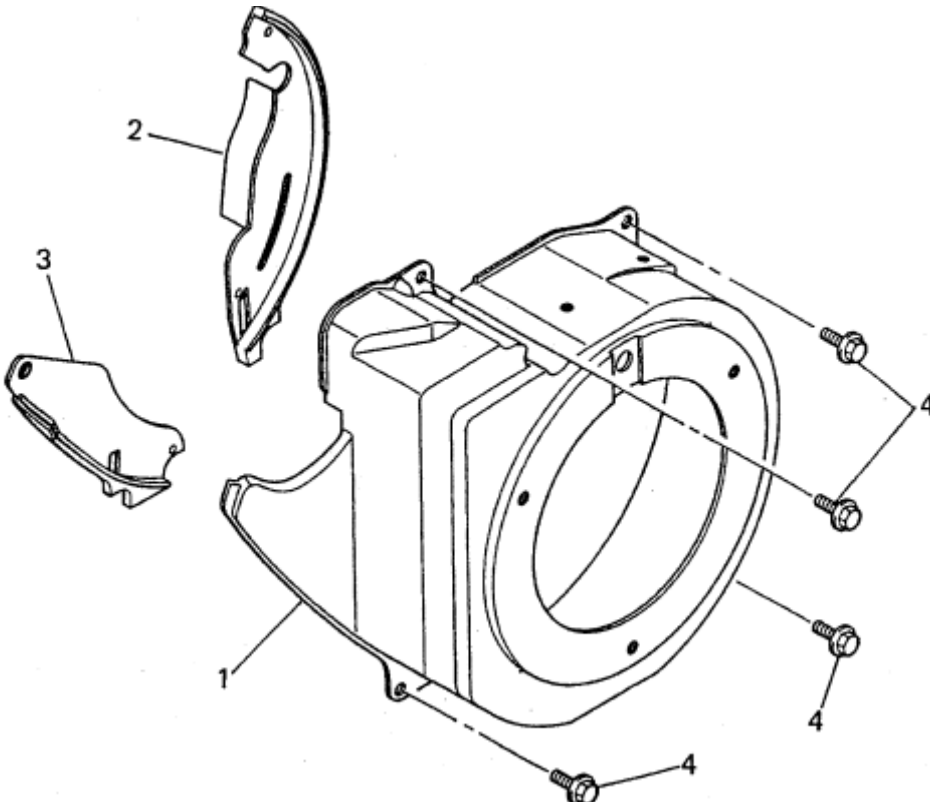


## J. CONPANE GROUP



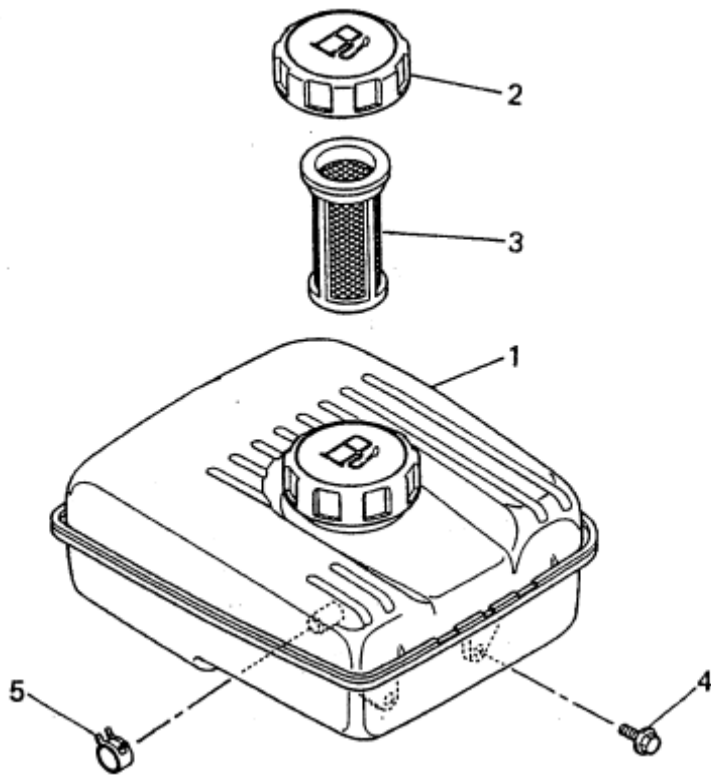
Number	Part Number	Parts Name	Number Required	Remarks
13	KU70006AA	Clip	1	
14	B805B06X012	Bolt, Flange	1	
15	FR42734	Nut, Flange	2	
16	KU13014BA	Bolt and Washer	2	

## K. FAN COVER GROUP



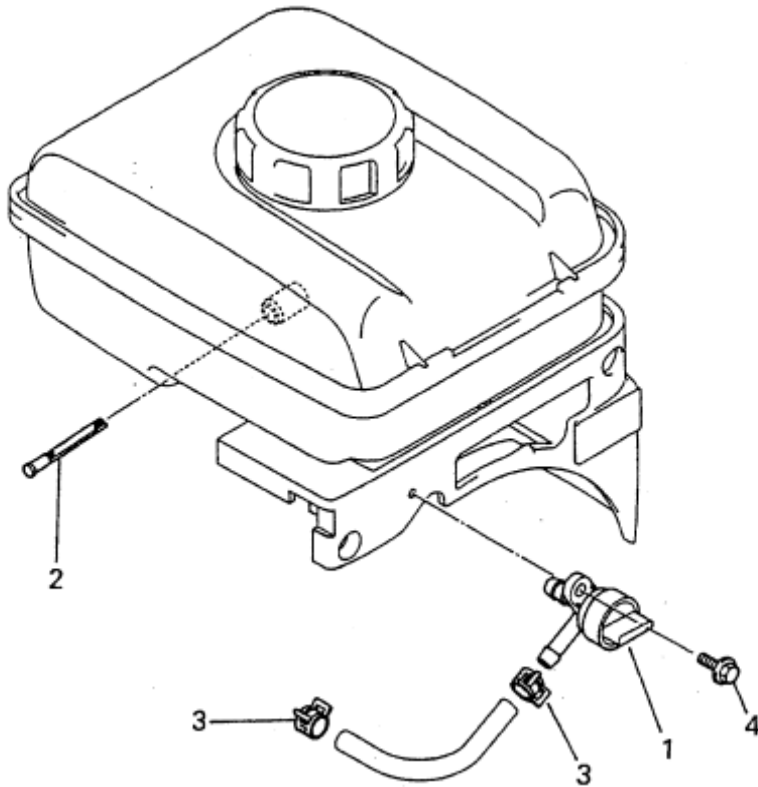
Number	Part Number	Parts Name	Number Required	Remarks
1	KH25012BA	Cover, Fan	1	
2	KR40030DB	Cover	1	
3	KH40066BA	Cover	1	
4	KV12025AA	Screw (for Cover, Front)	5	

## M. TANK GROUP



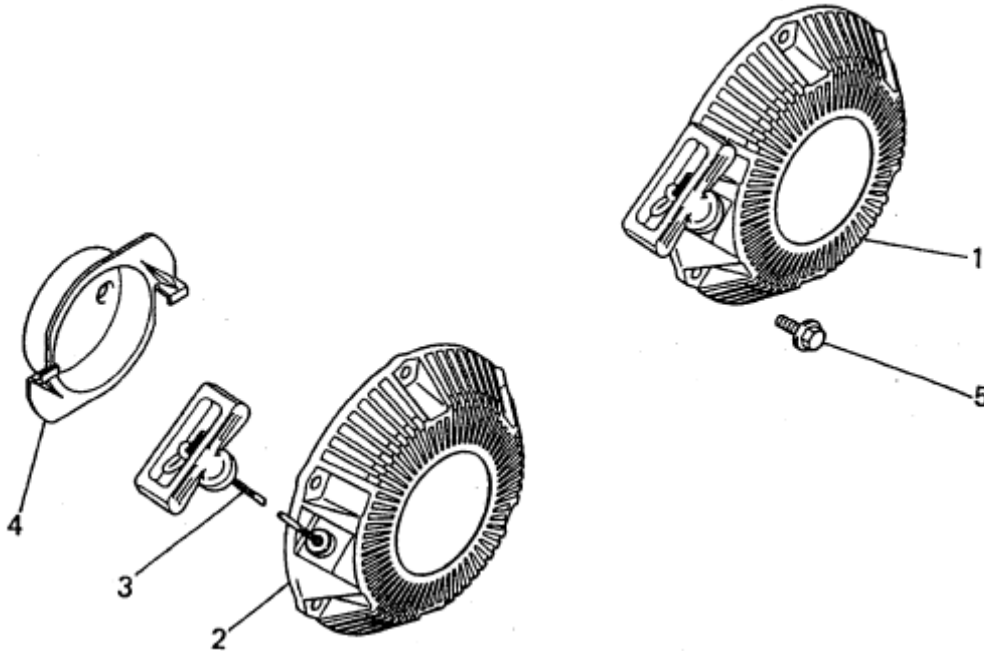
Number	Part Number	Parts Name	Number Required	Remarks
1	KF04096AD	Fuel Tank Assy.	1	Incl. No. 2, 3
2	KF05018AA	Tank Cap Assy.	1	
3	KF40003AA	Filter, Fuel	1	
4	B805B06X025	Bolt, Flange	4	
5	FR53226A	Clip	1	

## N. COCK GROUP



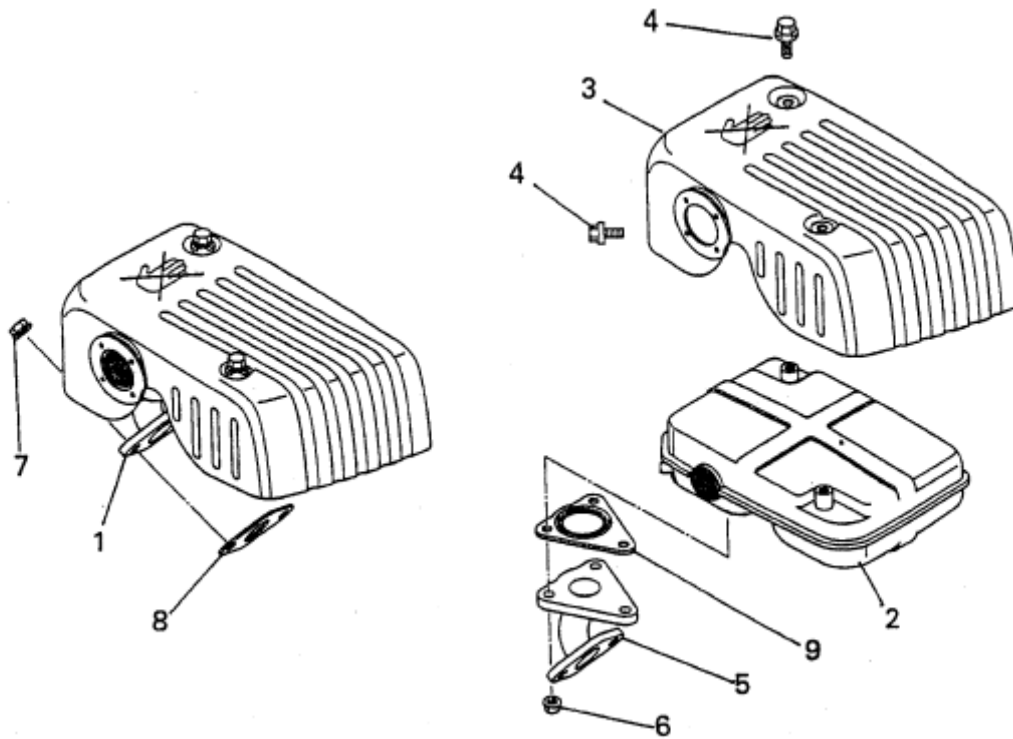
Number	Part Number	Parts Name	Number Required	Remarks
1	KF31023AA	Cock, Fuel	1	
2	KF40012AA	Filter, Fuel	1	
3	FR67419B	Clip	2	
4	KU12026AA	Tap-screw	1	

## R. RECOIL STARTER GROUP



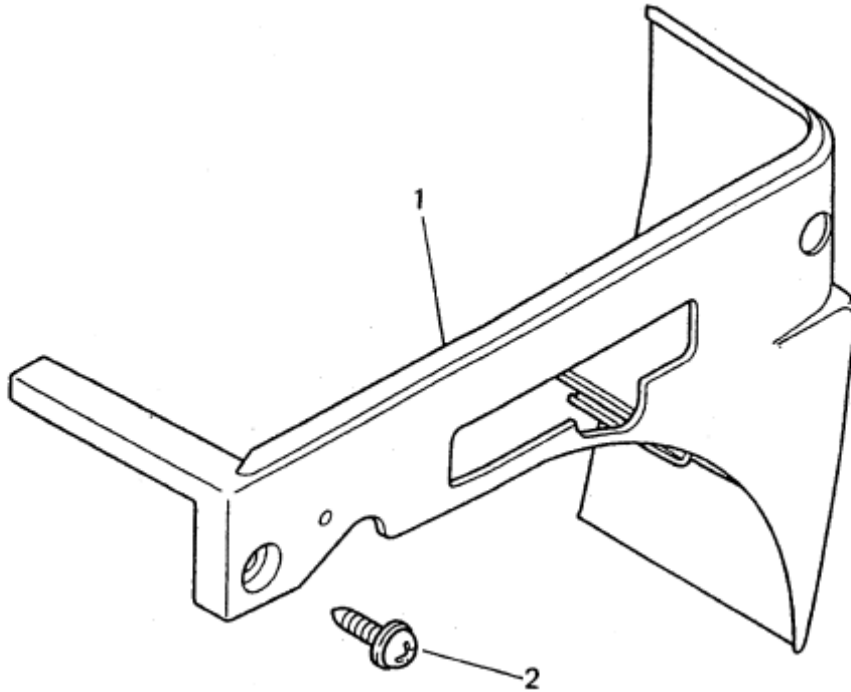
Number	Part Number	Parts Name	Number Required	Remarks
1	KS02061AD	Recoil Starter Assy.	1	Incl. No. 2-4
2	KS20080AD	Recoil Starter	1	Incl. No. 3
3	KS20080AD008	Rope Assy.	1	
4	KS30039BA	Pulley, Starter	1	
5	B800A06X010K	Bolt, Flange	3	

## S. MUFFLER GROUP



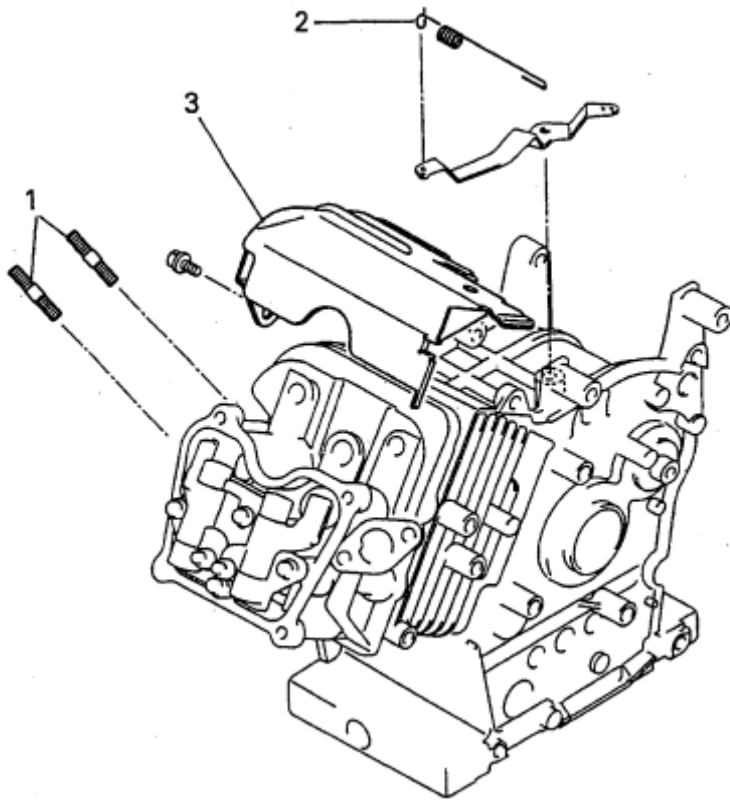
Number	Part Number	Parts Name	Number Required	Remarks
1	KM02100AA	Muffler Assy.	1	Incl. No. 2-4
2	KM15061AA	Muffler	1	
3	KM25053AA	Cover, Muffler	1	
4	B800A06X008K	Bolt, Flange	3	
5	KM30009AA	Pipe, Exhaust	1	
6	N801A06	Nut, Flange	3	
7	ZZ70028C	Nut, Conical Spg.	2	
8	KM70040AA	Gasket, Muffler	1	
9	KM70041AA	Gasket, Muffler	1	

## X. COVER GROUP



Number	Part Number	Parts Name	Number Required	Remarks
1	KR40023AA	Cover, Front	1	
2	KU12025AA	Tap-screw	1	

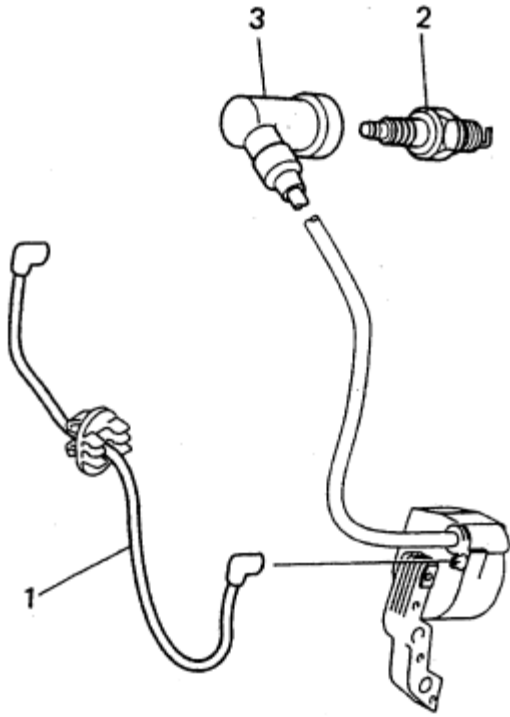
## 1. BOLT, SPRING, COVER



Number	Part Number	Parts Name	Number Required	Remarks
1	B155B08X020	Bolt, Stud	2	
2	KG34021AA	Spring, Gov	1	
3	KH40057AA	Cover, Top	1	

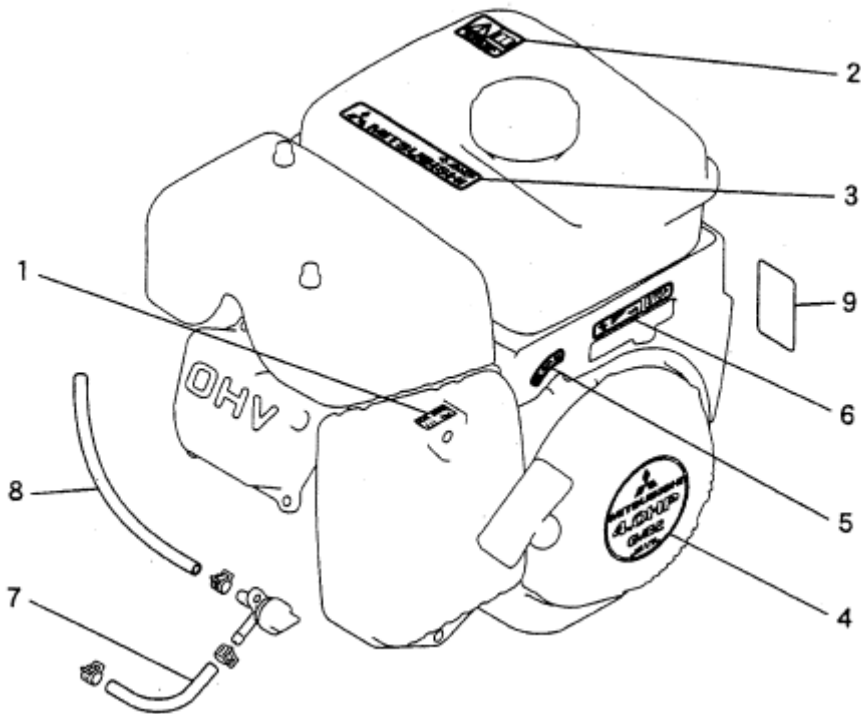


## 2. LEAD WIRE, PLUG, CAP



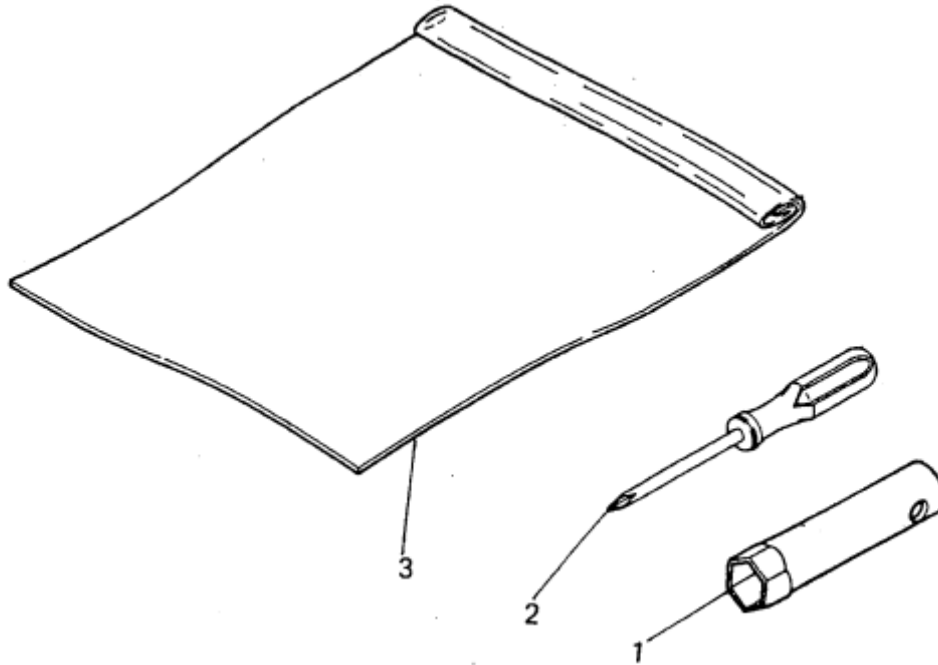
Number	Part Number	Parts Name	Number Required	Remarks
1	KE90177AA	Wire, Lead	1	
2	FA21273	Plug, Spark	1	BP6HS
3	KE42027AA	Cap, Plug	1	

### 3. LABEL, FUEL HOSE



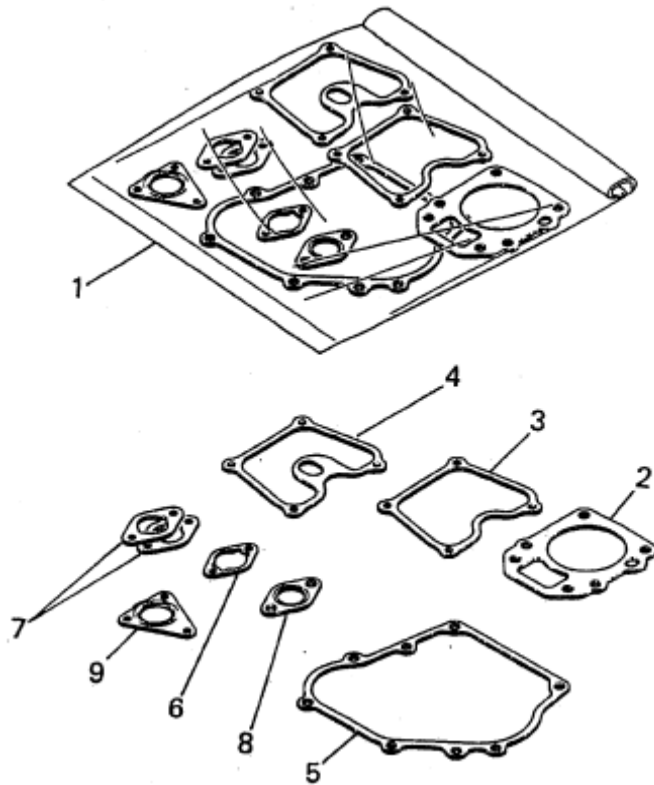
Number	Part Number	Parts Name	Number Required	Remarks
1	KW56109BA	Label, Choke	1	
2	KW55042AA	Label	1	
3	KW55043BA	Label	1	
4	KW52224BA	Label, Name	1	
5	KW56113BA	Label	1	
6	KW56122AA	Label	1	
7	KF90139AA105	Hose, Fuel	1	
8	KF90140AA150	Hose, Fuel	1	
9	KW56138AA	Label	1	

## 4. TOOL SET



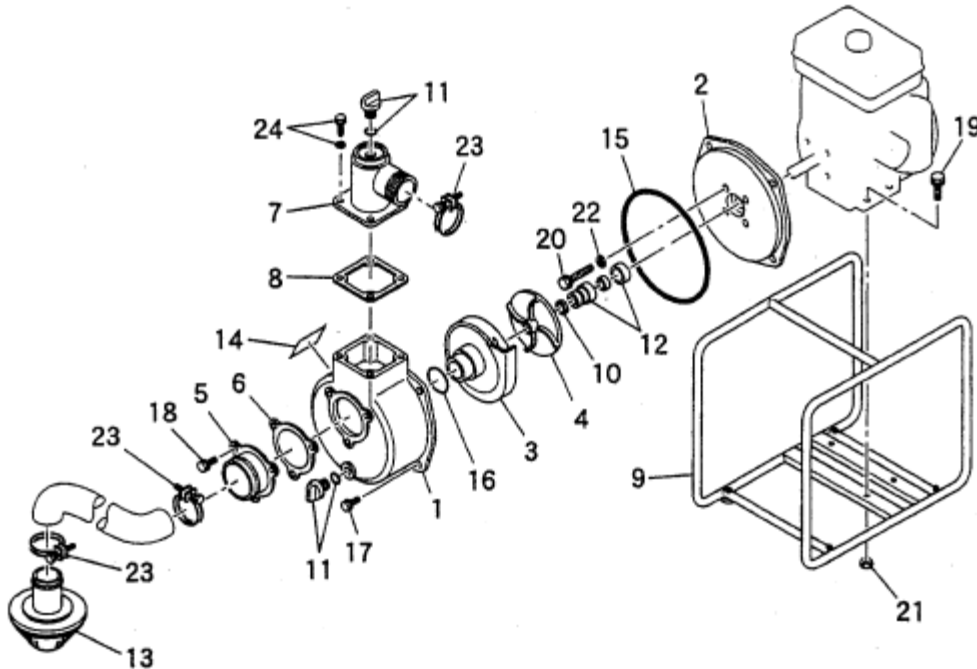
Number	Part Number	Parts Name	Number Required	Remarks
1	KN12004GA	Spanner, Box	1	
2	KN13001AA	Driver, Screw	1	
3	FA21533D	Bag, Tool	1	

## 5. GASKET SET



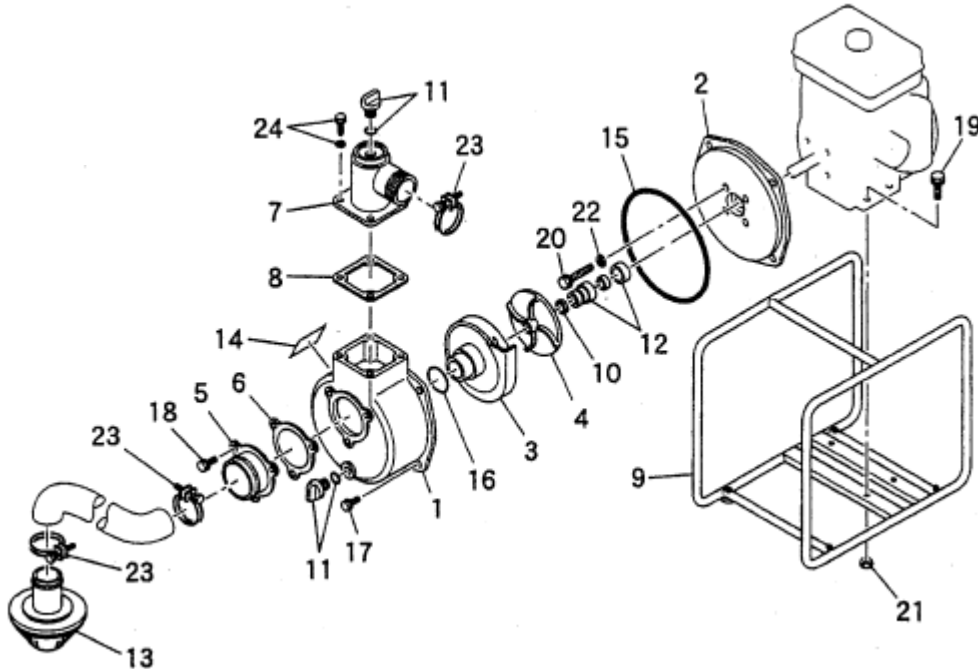
Number	Part Number	Parts Name	Number Required	Remarks
1	KW39073AA	Gasket Set	1	Incl. No. 2-9
2	KC66012AA	Gasket, Head	1	
3	KW33006AA	Gasket, Heads Cover	1	
4	KW33008AA	Gasket, Head Cover	1	
5	KW31014AA	Gasket, Crankcase	1	
6	KW34054AA	Gasket, Carburetor	1	
7	KW34029AA	Gasket, Carburetor	2	
8	KM70040AA	Gasket, Muffler	1	
9	KM70041AA	Gasket, Muffler	1	

## 6. PUMP



Number	Part Number	Parts Name	Number Required	Remarks
1	KY011257802	MP Pump Casing	1	
2	KY011257905	MP Flange Bracket	1	
3	KY011464001	MP Volute Casing	1	
4	KY011353201	MP Impeller	1	
5	KY011282201	MP Suction Flange	1	
6	KY011266501	MP Check Valve	1	
7	KY011135902	MP Delivery Flange	1	
8	KY011054102	MP Flange Packing	1	
9	KY011732401	MP Base Set	1	
10	KY011046601	MP Adjusting Washer	3	
11	KY011807802	MP Plug Set	2	
12	KY011068802	MP Mechanical Seal	1	

## 6. PUMP



Number	Part Number	Parts Name	Number Required	Remarks
13	KY011815901	MP Strainer Set	1	
14	KY011535301	MP Name Plate	1	
15	KY890255043	MP O-Ring	1	
16	KY011279201	MP O-Ring	1	
17	KY743119046	MP Bolt	4	
18	KY743119045	MP Bolt	4	
19	KY743119051	MP Bolt	4	
20	KY734532076	MP Socket Bolt	4	
21	KY827419008	MP Nut	4	
22	KY854255008	MP Seal Washer	4	
23	KY940019060	MP Hose Band	3	
24	KY743119047	MP Bolt	4	